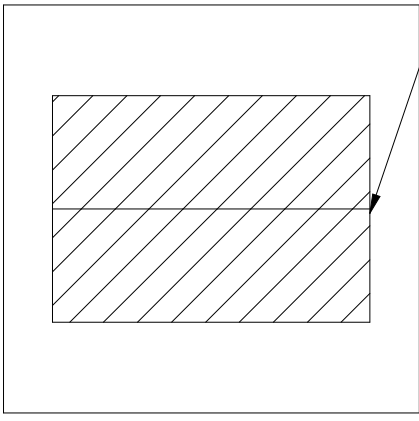


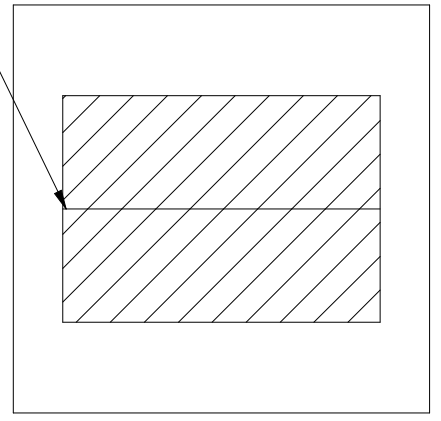
PLACE MOUNTING BRACKETS
CENTERED ON THE HATCHED AREA.
CHECK LOCATION OF BRACKETS
BEFORE MOUNTING AS THE
PEDESTAL IS HAND MADE.



210mm
DISTANCE FROM WALL
TO CENTRE OF HOLE

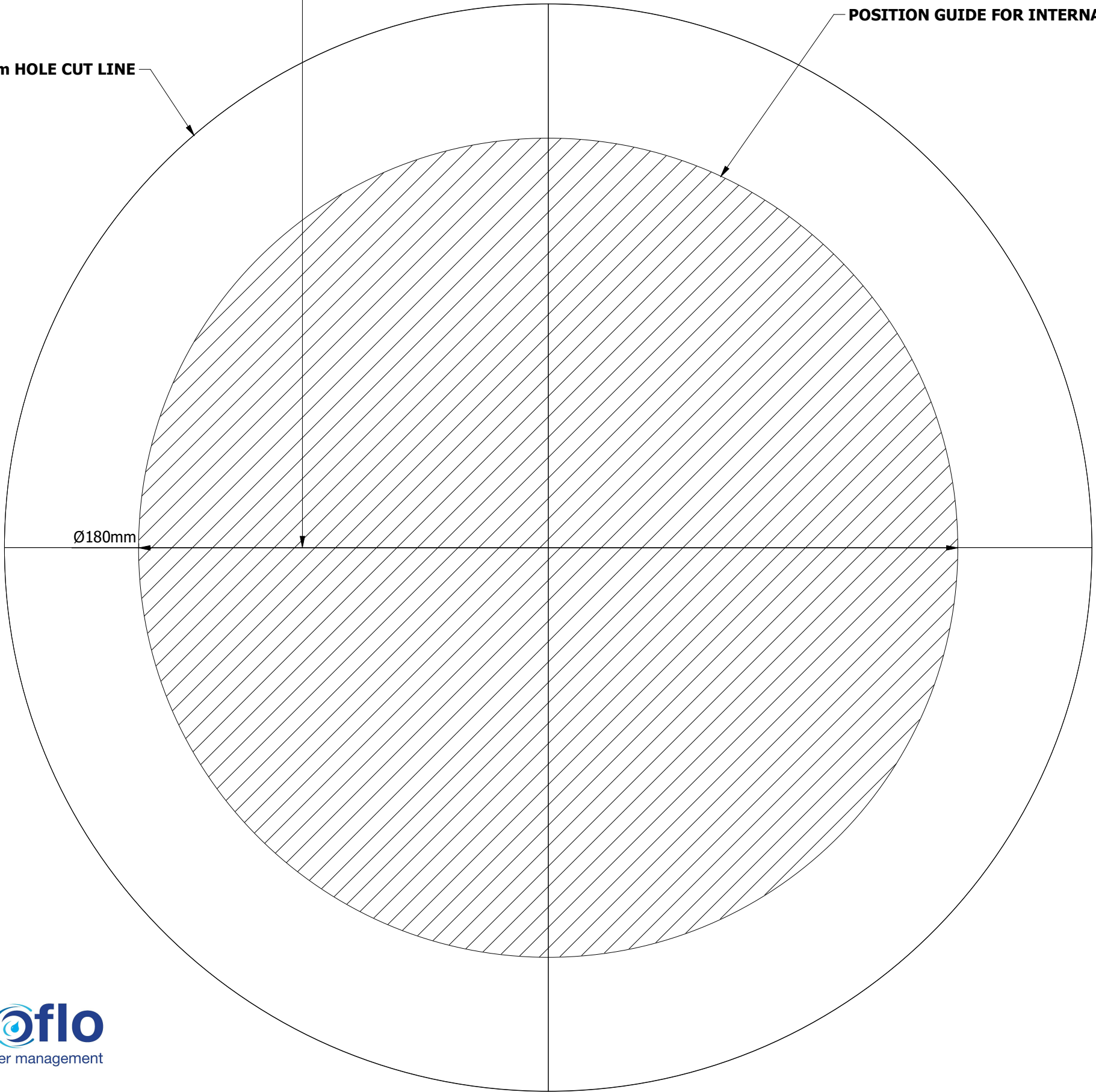
BACK OF PASADERO PEDESTAL

PLACE MOUNTING BRACKETS
CENTERED ON THE HATCHED AREA.
CHECK LOCATION OF BRACKETS
BEFORE MOUNTING AS THE
PEDESTAL IS HAND MADE.



Ø239mm HOLE CUT LINE

POSITION GUIDE FOR INTERNAL BOWL

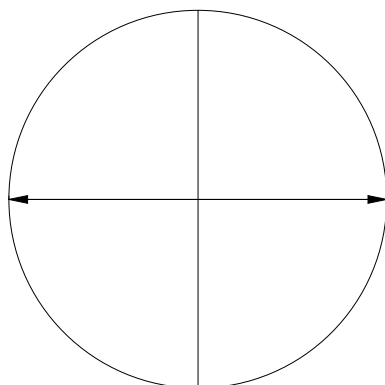


Ø180mm



INSTALLATION INSTRUCTIONS

1. Check this template is correctly scaled by measuring length and width as shown. Replace this template if dimension is ± 1 mm. This template is the minimum clearance from wall.
2. Place template on floor in approximate position, then place pedestal on template and confirm pedestal location is suitable. Check no joists, pipe or cables are under the cut area.
3. Align template to pedestal by matching the hatched pattern to the internal pedestal hole. Keep the template axis square to the wall.
4. Pin or tape template to floor, then remove pedestal.
5. Cut out hole along the outer ring, keeping cut within the line width (or scribe through template to mark floor if cut cannot be made with template in position.)
6. Insert chute to check hole shape.



Ø50mm
CUT LINE FOR
URINE DIVERTER HOSE

**FRONT OF PASADERO PEDESTAL
A3 FLOOR TEMPLATE**

Porcelain Pasadero Pedestal Installation Instructions

Items provided

- Pedestal, seat and lid
- Sullage hose
- Metal clamp
- Floor template
- 2x mounting brackets
- 2x anchors
- 2x metal washers
- 2x mounting bracket screws
- 2x mounting pedestal screws
- 2x plastic washers
- 2x screw caps

Tools required

- Jigsaw
- Power drill
- Masonry and brad point drill bits
- Hole-saw drill bit $\varnothing 5\text{cm}$
- Short flathead screwdriver
- Philips screwdriver
- Measuring tape
- Sticky tape
- Marker
- Silicone/caulk gun

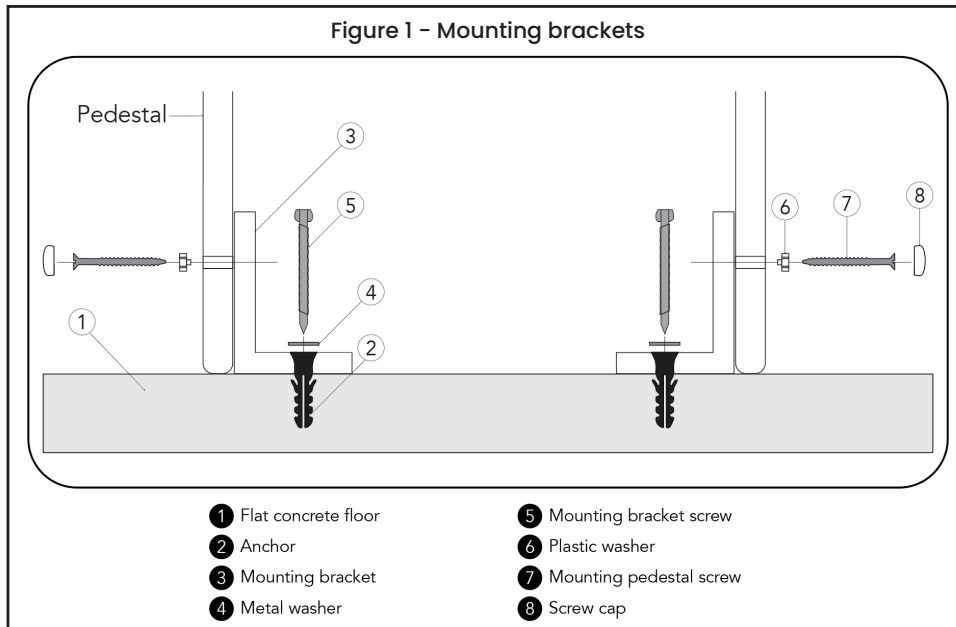
Steps

1. Find the best location and position for the pedestal using the Porcelain Pasadero Floor Template provided, then tape the template down. Cut out the hole for the waste chute with a jigsaw. Insert the waste chute into the hole. Place the composting chamber without its lid under the chute to see if the chute needs to be shortened. If so, mark it then cut it with a jigsaw. (This step is demonstrated in Ecoflo's Porcelain Palisade Pedestal Installation Video)
2. Cut out the smaller hole shown on the floor template for the sullage hose using a hole-saw or jigsaw.
3. Place the mounting brackets within their matching locations on the floor template making sure they line up with the holes on the sides of the pedestal. Drill holes through the brackets into the floor for the anchors. Remove the floor template, insert the anchors, screw down the mounting bracket screws and metal washers until brackets are secured (refer to figure 1).
4. Hook the metal clamp around one end of the sullage hose.
5. Connect the same hose end to the urine-diverting hole within the pedestal.
6. Using a flathead screwdriver, tighten the clamp until the connection is firm and secure.
7. Insert the rest of the hose down the floor hole.
8. Bring the pedestal into position over the waste chute and mounting brackets. Silicone may be applied around the base of the pedestal to add cushion and support on uneven surfaces.
9. Drill the mounting pedestal screws with the plastic washers through the holes on the sides of the pedestal into the mounting brackets. Tighten with a manual screwdriver as using a drill could damage the porcelain. Place the screw caps over the mounting pedestal screws (refer to Figure 1).
10. Attach the seat and lid to the pedestal by the connection points.
11. The sullage hose can be lead all the way into the absorption trench or into a collection bottle (not provided). Or, it can be connected to the composting chamber's excess liquid hose using a T-piece (provided). Refer to diagrams on the next page.

Operation

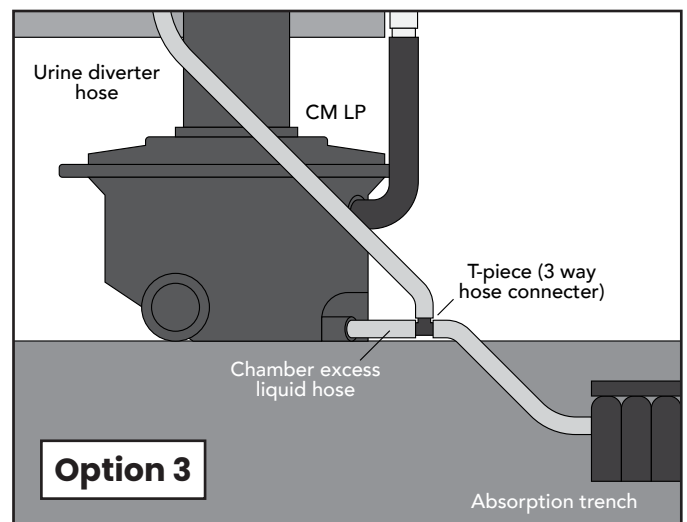
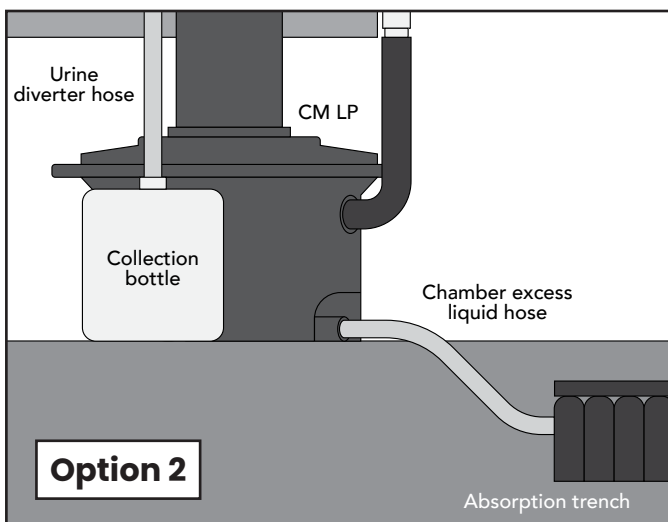
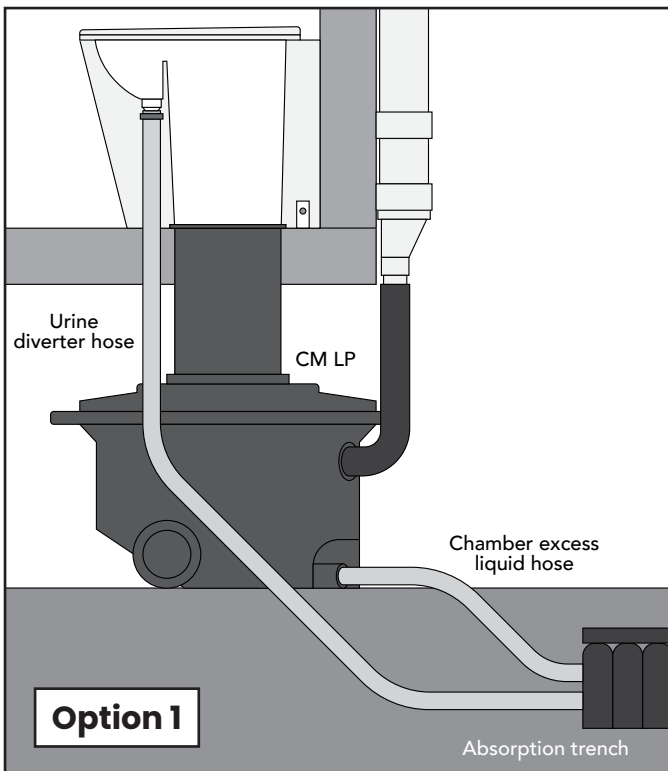
- Always be seated when using a urine separating toilet. Standing could cause urine to splash out of the pedestal.
- Pour a cup of water into the urine bowl after each use, or weekly with boiling/hot water.
- Close the toilet lid after each use.

Figure 1 – Mounting brackets



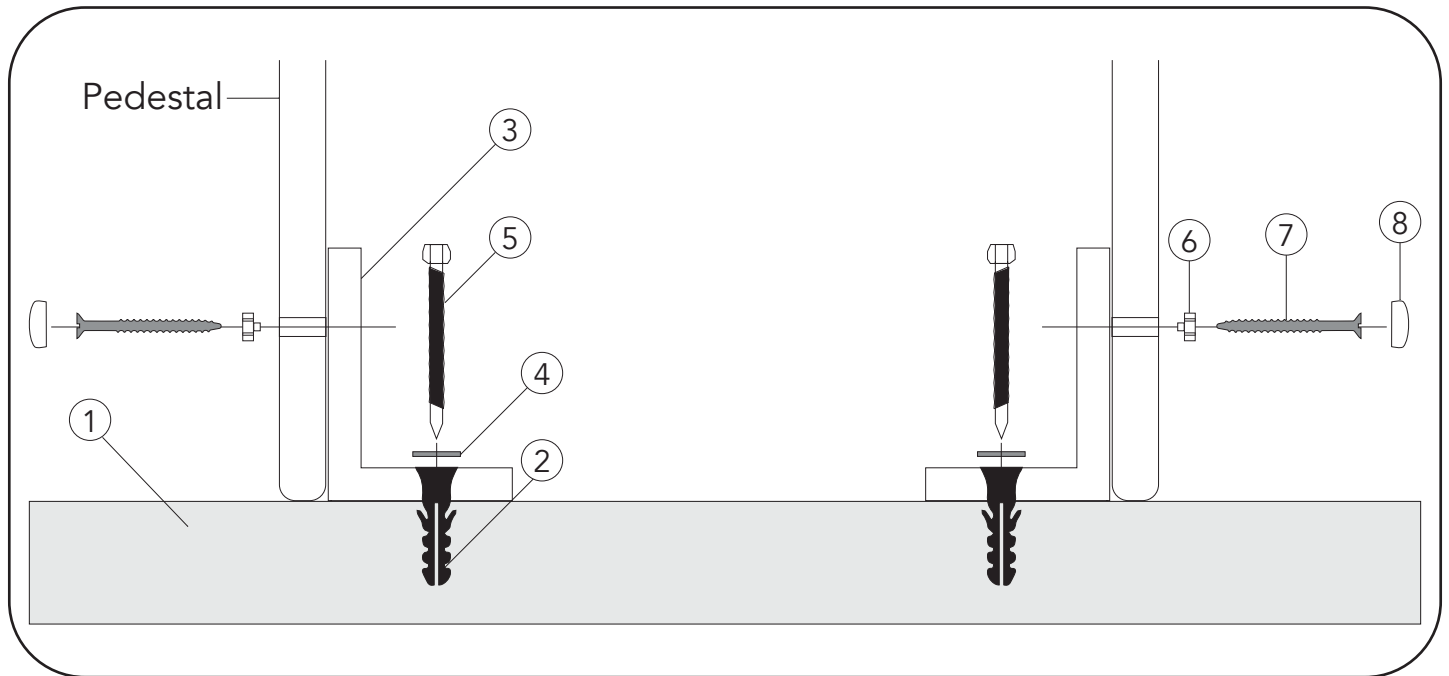
Urine Diverter Hose Outlet Options

- **Option 1:**
Urine diverter hose → Absorption trench
- **Option 2:**
Urine diverter hose → Collection bottle (not provided)
- **Option 3:**
Urine diverter hose → Chamber excess liquid hose (T-piece not provided) → Absorption trench



PEDESTAL INSTALLATION INSTRUCTIONS

Please check if all the parts shown in the diagram are packed. If there are any parts missing, please contact the supplier.



- | | |
|-----------------------|---------------------------|
| ① Flat concrete floor | ⑤ Mounting bracket screw |
| ② Anchor | ⑥ Plastic washer |
| ③ Mounting bracket | ⑦ Mounting pedestal screw |
| ④ Metal washer | ⑧ Screw cap |

STEPS:

1. The waste chute should be installed into the floor.
2. Assess the best position for the mounting brackets ③ within the mounting bracket locations on the floor template, then drill holes through them into the floor and insert the anchors ②.
3. With the metal washers ④ and mounting bracket screws ⑤ provided, screw the brackets down.
4. Put the pedestal into position over the brackets and waste chute.
5. Put the plastic washers ⑥ onto the mounting pedestal screws ⑦ and drill them through the holes on the sides of the pedestal into the mounting brackets.
6. Place screw cap ⑧ over the mounting pedestal screw.
7. Check to see if the pedestal is secure and firmly in place. If it is not, check the screws and tighten them further.