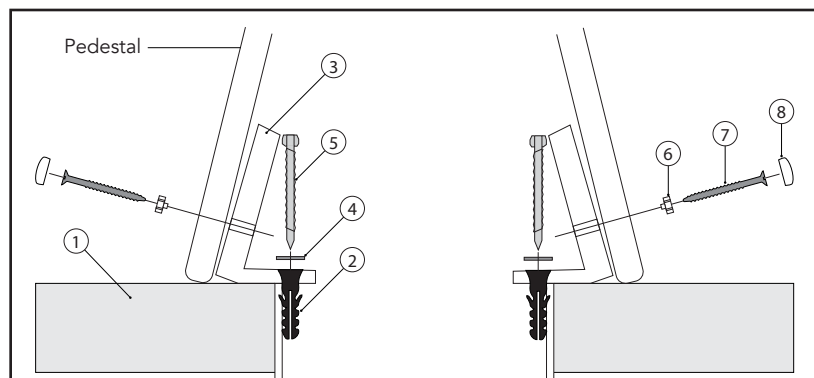


Pandora Mounting Instructions

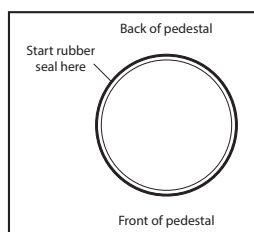
Please check if all the parts shown in the diagram are packed. If there are any parts missing, please contact the supplier.



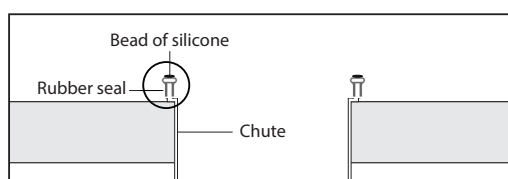
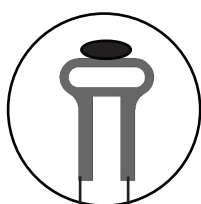
- | | |
|-----------------------|---------------------------|
| 1 Flat concrete floor | 5 Mounting bracket screw |
| 2 Anchor | 6 Plastic washer |
| 3 Mounting bracket | 7 Mounting pedestal screw |
| 4 Metal washer | 8 Screw cap |

STEPS:

1. The chute should be installed into the floor (refer to toilet user manual).
2. Attach the provided rubber seal around the rim of the chute and trim excess. We recommend starting the rubber seal near the left or right side of the pedestal.



3. Apply a bead of silicone around the top of the rubber seal and at the trimmed join line of the rubber seal.



4. Place the pedestal on the chute and mark the position on the floor with a pencil.
5. Assess the best position for the mounting brackets (3) within the mounting bracket locations on the floor template, then drill holes through them into the floor and insert the anchors (2).
6. With the metal washers (4) and mounting bracket screws (5) provided, screw the brackets down.
7. Put the pedestal into position over the brackets and waste chute.
8. Put the plastic washers (6) onto the mounting pedestal screws (7) and drill them through the holes on the sides of the pedestal into the mounting brackets.
9. Place screw cap (8) over the mounting pedestal screw.
10. Check to see if the pedestal is secure and firmly in place. If it is not, check the screws and tighten them further.