

# Separera *mini*



## URINE EXTRACTION

### User Manual

# Table of Contents

---

<b>SEPARERA MINI WITH URINE EXTRACTION</b>	<b>1</b>
Contacting Environmental Health	1
Inside the Separera box	1
Vent Installation Kit	1
Separera Mini cross section	1
<b>INSTALLATION</b>	<b>2</b>
Tools	2
Air supply	2
Assembly	2
Step 1 - Unpacking the base	2
Step 2 - Ventilation pipes through the wall or roof	2
Step 3 - Urine hose through the wall or floor	3
Step 4 - Ventilation pipes above the roof	3
Step 5 - Fastening base and connecting to power	3
<b>MAINTENANCE</b>	<b>4</b>
Urine drainage	4
Solid waste	4
Electrical connection	4
General advice	4
<b>CONTACT</b>	<b>5</b>

# Separera Mini with Urine Extraction

---

This urine separating toilet is constructed from eco-friendly material and is designed to cope with high demand over many years. What does separating waste mean? Well, the toilet is designed so solid waste is separated from the liquid (urine). This means that the Separera Mini has two containers, one for urine and another for solid waste.

Both must be dealt with in accordance with local regulations.

## Contacting Environmental Health

Contact Environmental Health office regarding local health regulations. This applies when installing any type of toilet.

## Inside the Separera box

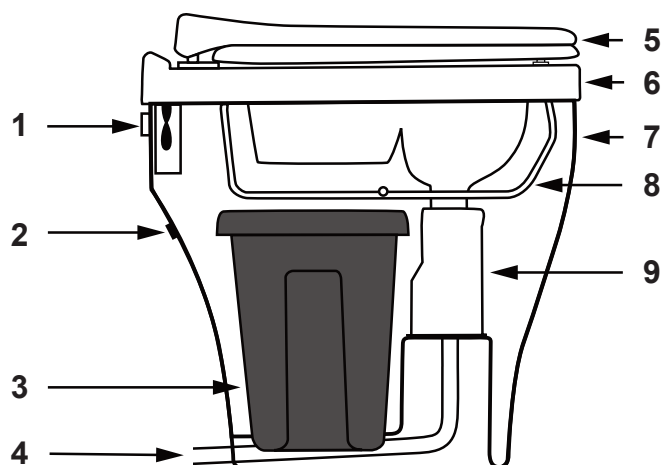
- Toilet with fan
- Lid
- Urine hose (1.5 m)
- Screw with washer for wall bracket
- Ventilation Pipe 50 cm for wall
- Insect netting
- 2 Solid waste containers
- Bio bags
- 12V Power adapter/transformer

## Vent Installation Kit

- Ventilation pipes (4x1.1 m ventilation pipe with 55 mm outer diameter)
- Exterior pipe (1x 1.1m with 110 mm outer diameter)
- Insulation (2x 1m)
- Reducing coupling
- Roof flashing
- Insect netting
- Pipe bend 90°
- Wall bracket
- Screws, washers, bolts, nuts, anchors

## Separera Mini cross section

1. Fan motor
2. Socket for power adapter/transformer
3. Solid waste container with a bag
4. Urine hose
5. Toilet seat, soft close
6. Top
7. Base
8. Chamber screen
9. Urine connection



# Installation

## Tools

- Drill
- Holesaw for 55 and 35mm hole
- Silicone
- Jigsaw/handsaw

## Air supply

Make sure there is a good air supply, for example, through a 10 mm gap under the door or a vent. Air will be evacuated through the toilet, so cross-draughts must be avoided.

## Assembly



### Step 1 - Unpacking the base

1. Lift off the top (6) of the toilet, and remove the waste container (3).

### Step 2 - Ventilation pipes through the wall or floor



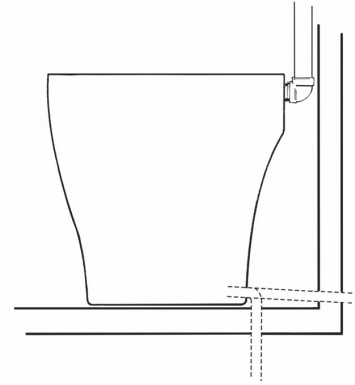
1. Place the base against the wall, and mark the hole for the ventilation pipe. Cut the hole with a holesaw (55mm).
2. Temporarily attach the 50cm long pipe to the outlet on the base, and place it in position to mark how much excess pipe to trim off (keep at least 5cm past the wall for the 90° bend to attach to). Trim pipe with a jigsaw or handsaw.
3. Keep the base in position and mark where the screws go to fasten it to the wall.

### Step 3 - Urine hose through the wall or floor

1. Make a hole for the urine hose, either through the wall or floor.
  - Through wall: up from floor c/c 25mm
  - Through floor: from wall c/c 40mm.

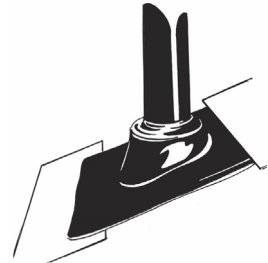
When the hose is installed through the wall make sure that you have a slope of at least 2 degrees (2 cm per meter) to ensure enough drain out from the toilet.

2. Pass the urine hose through the floor/wall.
3. Set the base in position.



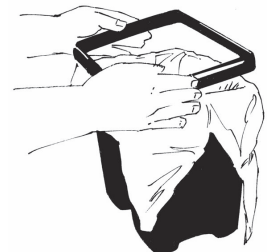
### Step 4 - Optional - Ventilation pipes above the roof

1. Make a hole in the roof for the ventilation pipe, 55 mm.
2. Put the 90° bend on the ventilation pipe or outlet.
3. Attach the ventilation pipes unsleeved end into the 90° coupling.
4. Insulate all piping that passes through cold spaces (e.g. in the attic and on above roof). This is to prevent condensation.
5. Cut the exterior pipe to fit the angle of the roof.
6. Position the roof flashing. For tin roof, its better to have a sheetmetal worker to make the flashing.
7. Put the outer pipe with the roof flashing over the insulated ventilation pipe.
8. Adjust the roof flashing to the external roof and seal firmly with asphalt sealant between the flashing and the roof.
9. Once all the piping is insulated and covered, fit the reducing coupling on top, and then fit the insect netting.



### Step 5 - Fastening base and connecting to power

1. Fasten the toilet securely to the wall or bracket using screws and washers.
2. Place a bag in the composting chamber and fold it over the edge. Put the frame in position to lock the bag.
3. Place the container inside the base and make sure that the bag does not cover the fan.
4. Put the top back in place.
5. Connect to power.



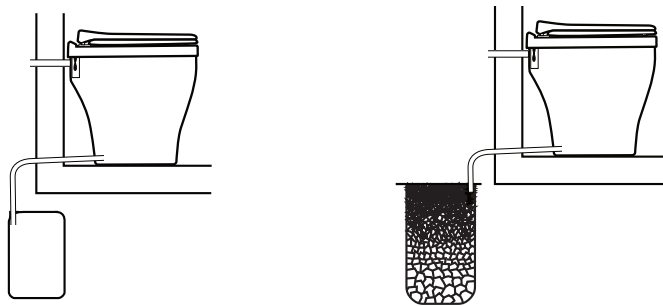
# Maintenance

---

## Urine drainage

Urine can be drained away in a number of different ways. Check what is required by your local authority; there are variations depending on ground conditions and the water table. There must be a drop in the hose coming out and away from the toilet to avoid salt deposits; for longer distances, its better to connect it to a 32mm PVC pipe.

The urine hose can connect to an existing greywater drain, an external filtration, or an external collection bottle.



## Solid waste

With normal use, a family of four produces around 7 litres of solid waste per week. The emptying frequency depends on usage. For example, after 2-3 weeks use by 4 people it will be time to switch composting chambers.

Simply remove the top, tie up the bag, remove and replace it with a new bag.

If you would like to compost the waste and use as a fertiliser, we recommend emptying the waste into a separate external chamber, adding a little bulking agent, and setting it aside in a shady place to complete composting (this make take around 6 months, depending on conditions).

## Electrical connection

Separera is approved for installation in wet rooms.

## General advice

- Flush the urine bowl with water weekly to reduce salt deposits.
- Empty the solid waste regularly, the bags start to decompose after 2-3 week.
- If insects get into the toilet, refer to our information on dealing with insects that can be found in the troubleshooting section of our website ([ecoflo.com.au/resources/troubleshooting](http://ecoflo.com.au/resources/troubleshooting)).
- To clean the toilet, use only enzymes. Never use abrasive chemical cleaning agents.
- If the toilet is installed as option B and you plan to leave the house for more than a few days, switch off the fan and put the cover in the toilet opening. If there is a good natural draft no odour will occur.
- If you do experience a bad odour in the room, check that the pipe connections are properly sealed and there is an air supply.

# CONTACT

---

The place of purchase is responsible for handling warranty claims and addressing product concerns during the warranty period.

## AUSTRALIA



Ecoflo Wastewater Management

[ecoflo.com.au](http://ecoflo.com.au)

PH 1300 138 182 or (07) 3889 6144

[info@ecoflo.com.au](mailto:info@ecoflo.com.au)

Available Monday - Friday (excluding public holidays)

## NEW ZEALAND



Waterless Composting Toilets NZ

[wctnz.co.nz](http://wctnz.co.nz)

PH 0800 022 027

[sales@wctnz.co.nz](mailto:sales@wctnz.co.nz)

