

DRYLO

MAINTENANCE MANUAL

AUS|NZ

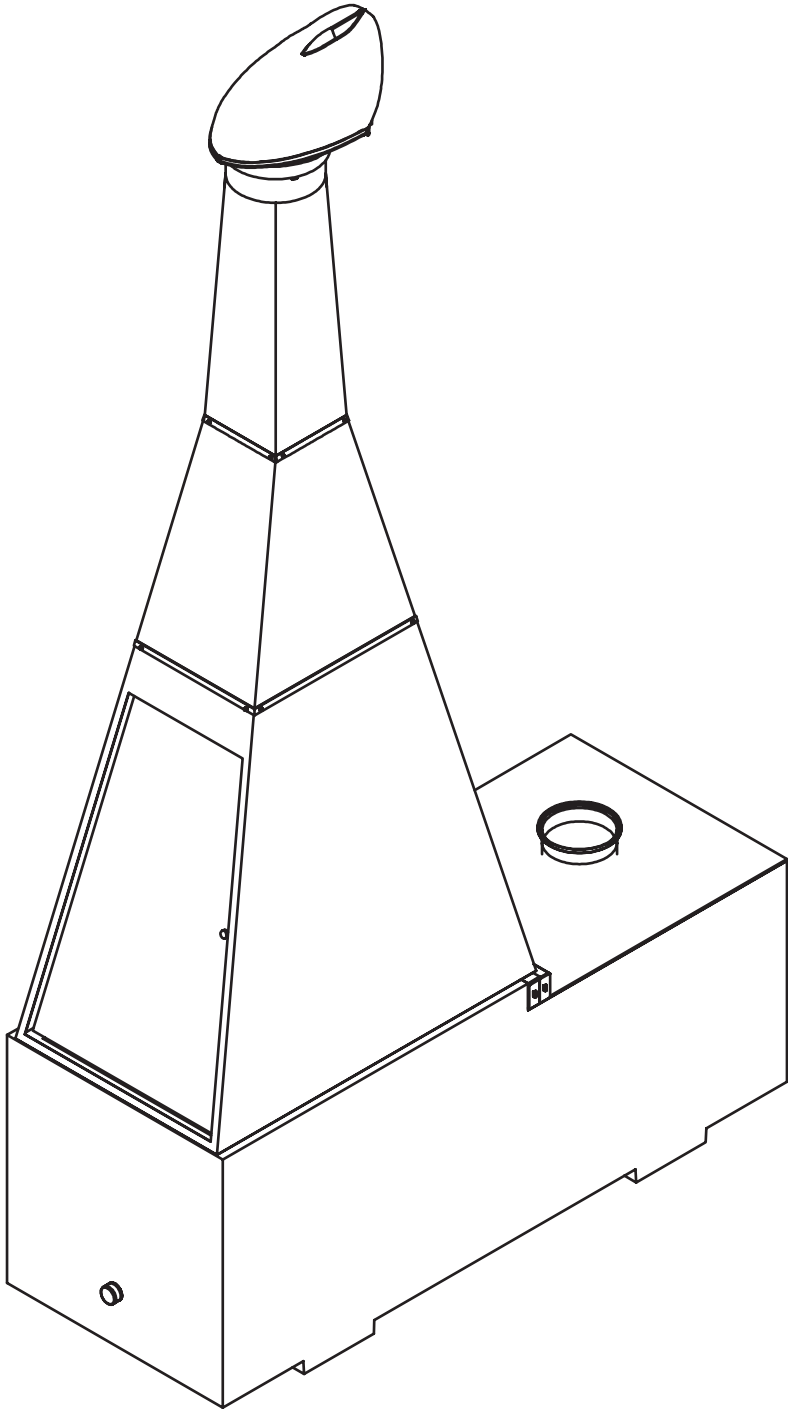


TABLE OF CONTENTS

IMPORTANT INFORMATION	1
PERSONNEL PROTECTIVE EQUIPMENT (PPE)	1
WHEN HANDLING WASTE PRODUCTS	1
VACCINATIONS	1
RECOMMENDED STORAGE TIMES, REMOVAL & DISPOSAL	1
OPERATION	2
MAINTENANCE	2
ESTIMATING FREQUENCY OF SERVICE	2
SERVICE PROCEDURE	2
BEFORE EACH SERVICE	3
FIRST SERVICE	3
SECOND SERVICE	4
DISPOSING OF WASTE	4
FOREIGN OBJECTS	4
CLEANING	5
TROUBLESHOOTING	5
ODOURS OUTSIDE THE CABIN	5
ODOURS INSIDE THE CABIN	6
FLY PROBLEMS	6

IMPORTANT INFORMATION

READ THIS before performing any maintenance.

PERSONNEL PROTECTIVE EQUIPMENT (PPE)

WHEN HANDLING WASTE PRODUCTS

- **Goggles:** to protect eyes from splashes of human waste or sewage.
- **Protective face mask or splash-proof face shield:** to protect nose and mouth from splashes of human waste or sewage.
- **Liquid-repellent coveralls:** to keep human waste or sewage off clothing.
- **Waterproof gloves:** to prevent exposure to human waste or sewage.
- **Rubber boots:** to prevent exposure to human waste or sewage.



VACCINATIONS

As a minimum, we recommend the following vaccinations are up to date:

Hepatitis A & B, Tetanus

RECOMMENDED STORAGE TIMES, REMOVAL & DISPOSAL

SOLIDS should be dried for at least 6 months. It may take longer to be sure that it is 100% pathogen free depending on conditions.

AFTER 6 MONTHS, you can either choose to burn, compost or bury dried solid material.

BURYING dried material should be performed according to regulations.

- Identify an area that is suitable to empty the dried material into a hole (not within 100m of a potable water supply) on your property.
- Cover the top of the compost pile with at least 100mm of soil

COMPOSTING requires dried material to be mixed with existing compost to make sure the composting process will remove the remaining pathogens. **The compost should not be used for root vegetables.**

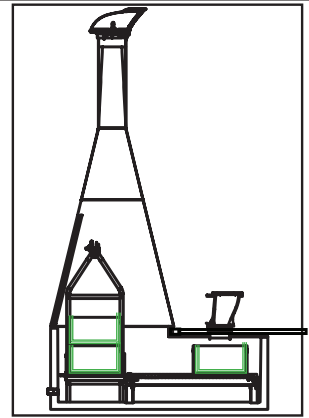
LIQUIDS, if your council allows, may be diverted to an excess liquid Absorption Trench otherwise most should be evaporated.

OPERATION

Once the DryLoo has been installed, the empty baskets may be placed inside the unit.

The active basket sits directly below the toilet bowl.

The spare and/or drying baskets is placed in front of the Service door.



MAINTENANCE

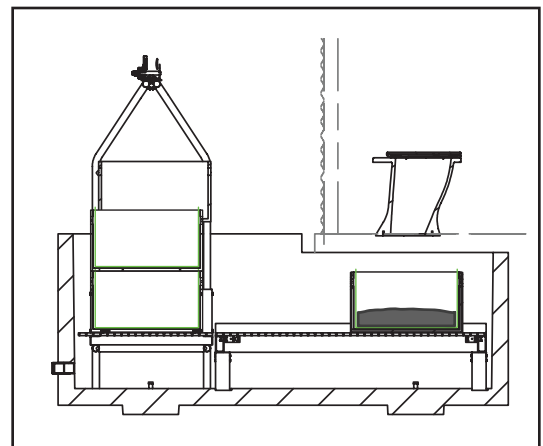
ESTIMATING FREQUENCY OF SERVICE

Once your DryLoo is operational, it is recommended that a visual inspection is undertaken following one month of use and then again after a further 3 months use. The purpose of these first inspections is to estimate the frequency of use of the system and therefore the frequency of regular servicing.

Note usage can be seasonal & further inspection may be required.

A visual inspection can be undertaken by simply opening the service door. Read Important Information on page 1. A high usage level will be evident by a raised liquid level, and/or by a large amount of solid waste in the basket beneath the toilet bowl.

No action needs to be taken at this point (unless the liquid level is extremely high - see 'Trouble Shooting'), but in the event that high usage levels are noted, it is recommended that the unit is serviced more frequently.

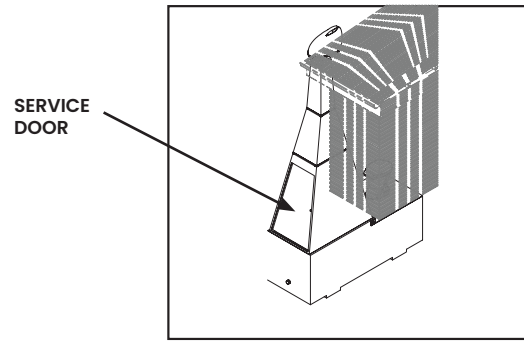


SERVICE PROCEDURE

Tools required for servicing include the Door key and the basket Hook Tool. Read Important Information on page 1 regarding Handling Waste and PPE.

BEFORE EACH SERVICE

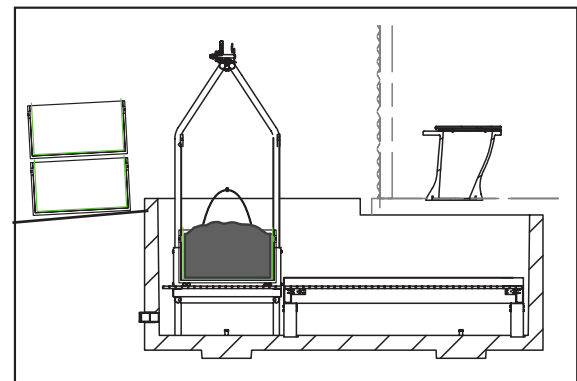
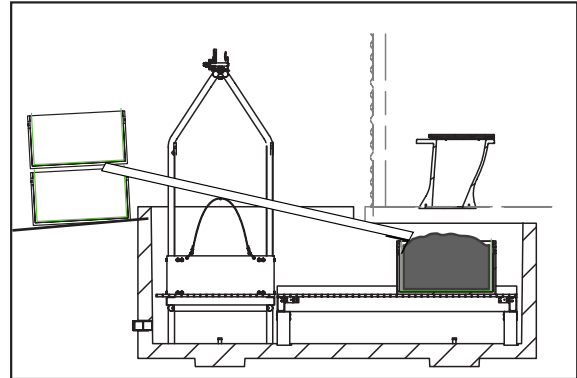
Use the key to unlock the Service Door.



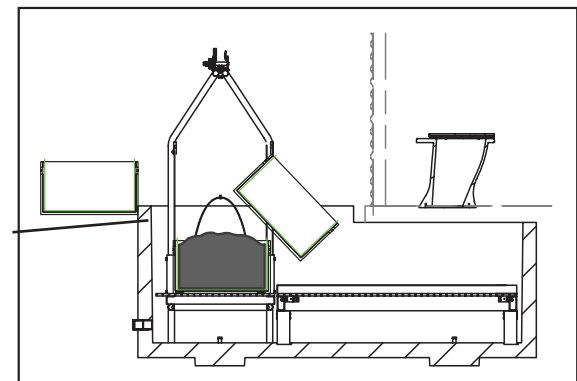
FIRST SERVICE

1. Remove the empty baskets and place them outside the unit.

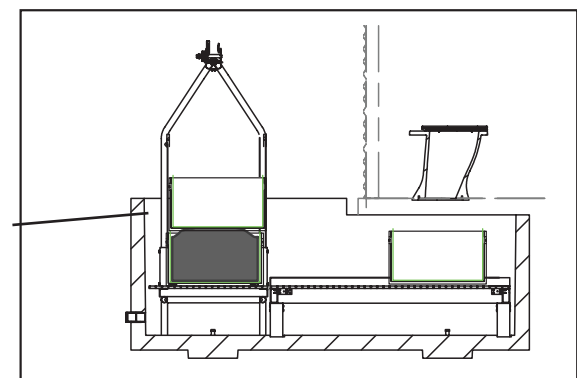
Using the basket moving tool, draw the front basket back from underneath the toilet bowl to as far back on the drying plate as possible. This basket will contain waste to dehydrate.



2. Slide the empty basket over the top of the full basket, and slide it directly underneath the toilet bowl. Use the basket Hook tool to maneuver it into position.

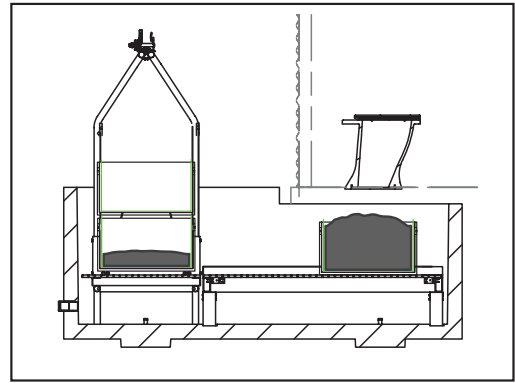


3. The empty basket can now be placed on top of the full basket. The full basket will remain inside the unit for another cycle whilst it's contents dries.

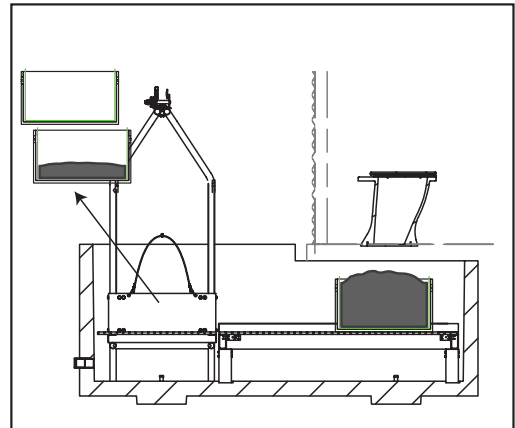


SECOND SERVICE

4. The unit will now contain a full basket under the toilet bowl and the partially dehydrated basket from the first service in the drying position. Note that it's volume has decreased.



5. Open the Service Door. Remove the empty basket and the basket containing the now partially dehydrated waste from the first service cycle.



DISPOSING OF WASTE

At the end of the dehydration, decomposition cycle, the dried waste found in the basket to be emptied will, under normal circumstances, be dehydrated, neutral and pathogen free.

State regulators either require or recommend that this material should be deposited in a hole in the ground 300 mm deep and covered with 100 mm of soil.

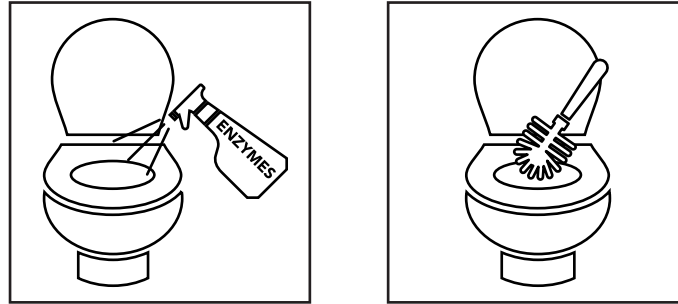
FOREIGN OBJECTS

It may occur that non biodegradable objects such as plastic bags, aluminium cans, babies nappies, etc., find their way into the system. These objects will not impair the functioning of the DryLoo and can be removed and disposed of during servicing.

CLEANING

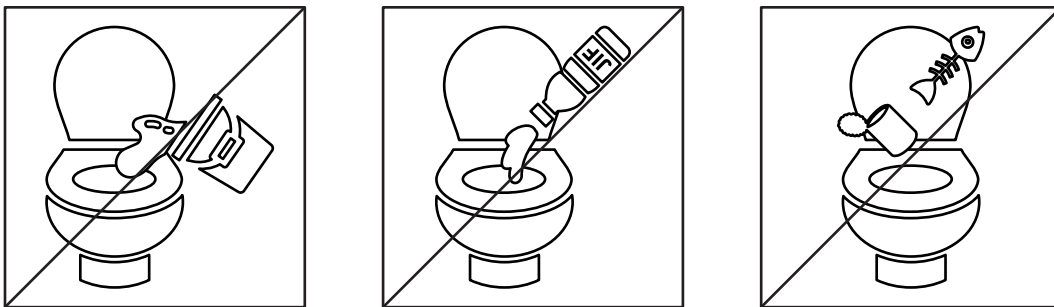
Cleaning can be carried out as often as required as follows:

- Apply an organic cleaner.
- Using a damp brush, clean the toilet thoroughly.
- Rinse with a little water.



DO NOT:

- Tip large quantities of water into the toilet for cleaning or any other purpose.
- Under any circumstances use chemical products.
- Throw any item other than used toilet paper into the system.



TROUBLESHOOTING

ODOURS OUTSIDE THE CABIN

If odours are detected outside the cabin, first check the liquid level in the unit. If liquid should rise above the internal floor and wet the solid material in the baskets this may cause anaerobic decomposition which will in turn create odours. The liquid will need to be pumped out.

To pump out excess liquid, open the Service door and insert a 50-70mm pipe down into the liquid collection area below the drying plate - if there is a lift installed this can be on the left hand side of the lift. If there is no lift installed there is a gap on left hand side of the floor to fit the hose. Ensure that the end of the hose is well below the floor level.

NOTE: The liquid should be pumped into a tank and disposed of according to local authority regulations.

ODOURS INSIDE THE CABIN

The DryLoo functions by creating a flow of air which enters via the toilet bowl and exits via the chimney so it is very rare that there are odours inside the cabin, even when there may be odours outside (see above). However, odours may be present during the following conditions:

- Dawn. It may be that at certain times, usually at dawn, that the air is very still and that the chimney is very cool. This may mean that there is no air flow through the system and, if there is biological activity in the waste under the toilet bowl, that smells may rise. Normally this moment will pass quickly and once the flue heats up it will be removed.
- It is possible that under very strong winds against a structure that an area of negative pressure may develop on the leeward side. This in turn may cause the air flow to reverse out of the toilet bowl. No action should be taken and the air current will revert to its usual direction once the wind speed has dropped.
- In any case, always check that the Skyvent is functioning correctly, (turning), and that there are no holes or gaps between the chimney and the hatch.

FLY PROBLEMS

Under normal circumstances that unit should be free of flies and other insects in operation.

Insects may find their way into the unit from time to time, but it is rare that they will be noticeable due to the constant current of air flowing into the toilet bowl and out via the flue. In the event that insects are noticeable at the toilet bowl, check that the Service Door is properly secured with no gaps between the unit and the cover.

If the problem persists, add some lime to the system via the toilet bowl and the service door. The problem will be resolved and the system will revert to normal operation.

DRYLO

For questions or more information
visit our website or submit a help ticket
help.ecoflo.com.au

Manufactured by Ecoflo Wastewater Management

ecoflo.com.au

PH 1300 138 182

info@ecoflo.com.au