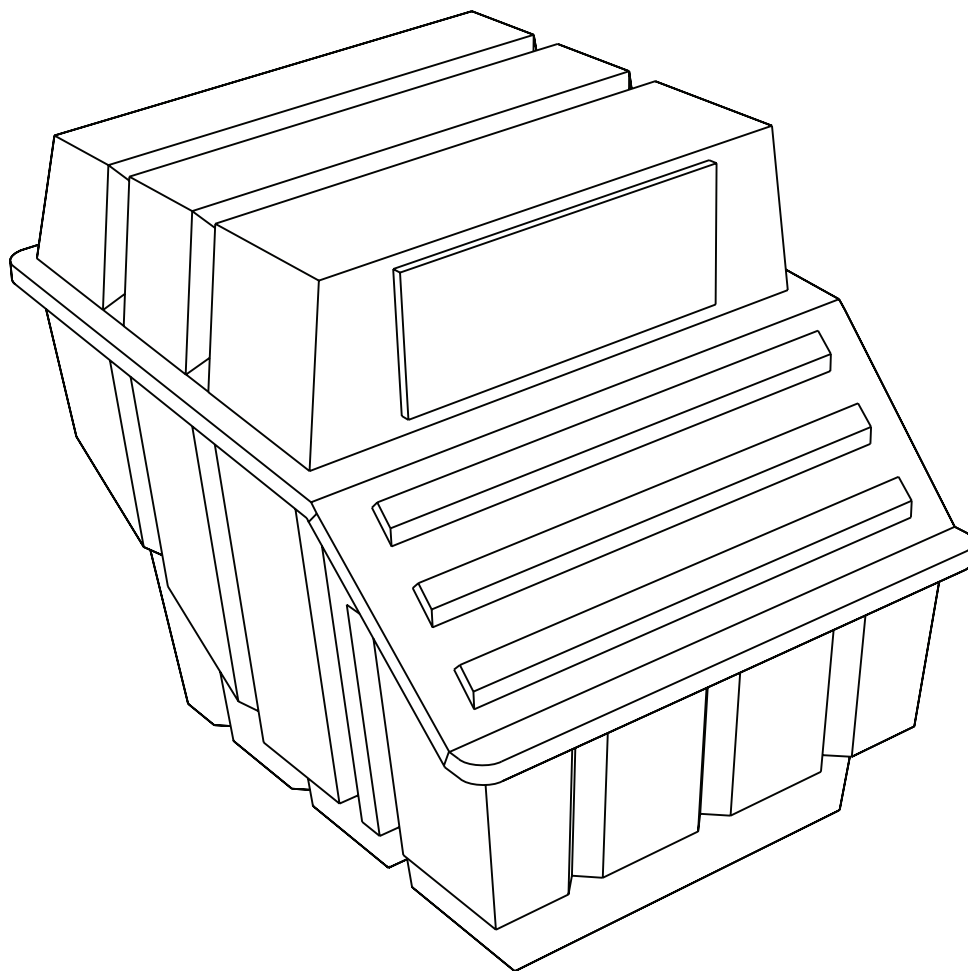


CM8 Next Gen.

INSTALLATION MANUAL

AUS|NZ

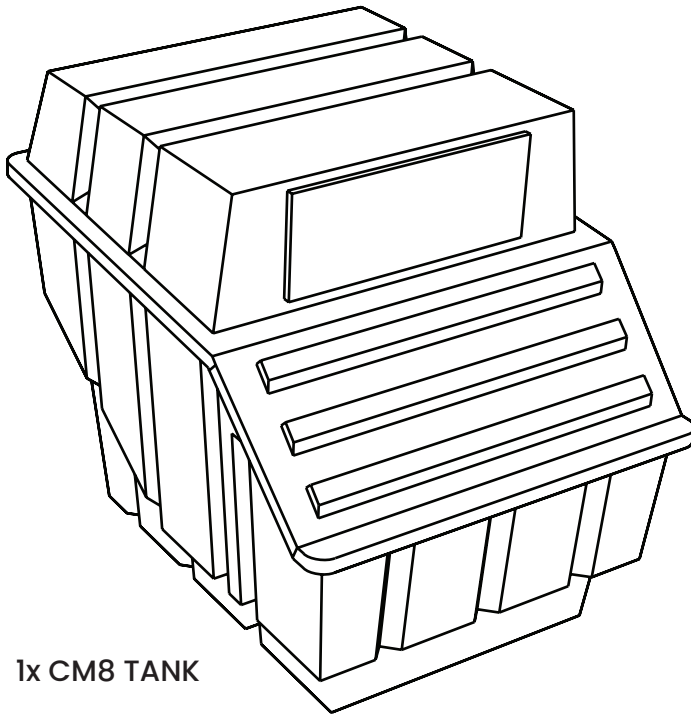


IMCM-8-2024-07-17

TABLE OF CONTENTS

CM8 TANK ITEMS	1
PEDESTAL ITEMS	1
DRAIN ITEMS	2
VENT ITEMS	2
CONSUMABLES	3
OPTIONAL PACK FOR BURIED ANCHOR SYSTEM ONLY	3
TOOLS REQUIRED	4
MATERIALS REQUIRED	4
INSTALLATION SUMMARY	4
CONDITIONS	5
POSITIONING THE TANK	6
TANK SUPPORT	6
TANK ASSEMBLY	7
FOAM TAPE INSTALLATION	7
STARTER-BED OF ORGANIC MATTER	8
INSTALLATION FOR BURIED ANCHOR SYSTEM ONLY	9
LEACHATE DRAIN INSTALLATION	10
TOILET CHUTE & PEDESTAL	11
POWERING YOUR FAN	14
PEDESTAL INSTALLATION	15
INSTALLATION OF VENTILATION SYSTEM	15
CONTACT	18

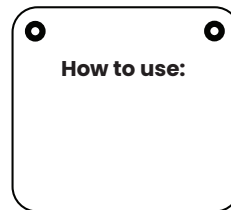
CM8 TANK ITEMS



1x MAINTENANCE RAKE

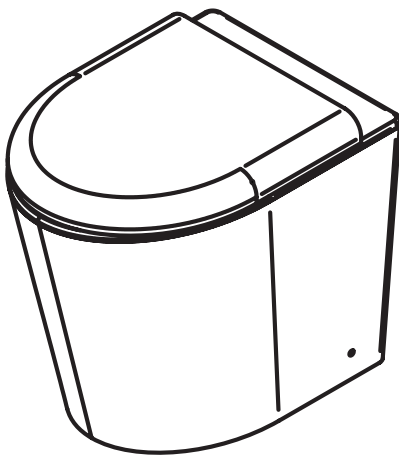


1x SILICONE
SEALANT

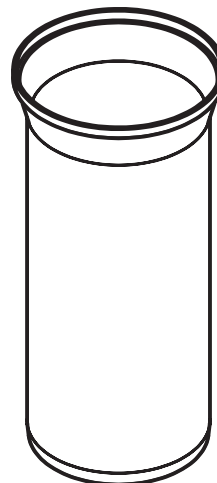


1x 'HOW TO
USE' SIGN

PEDESTAL ITEMS



1x PEDESTAL &
TOILET SEAT



1x TOILET
CHUTE



16x ROOFING
SCREWS

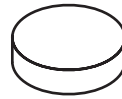


1x TOILET CHUTE
COLLAR

DRAIN ITEMS



2x MI CONNECTOR Ø50MM



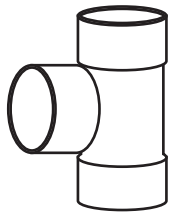
1x THREADED ACCESS CAP Ø50MM



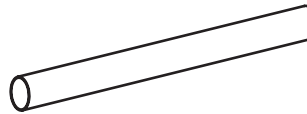
2x 45° BEND Ø50MM



1x SOCKED SLOTTED DRAIN PIPE Ø100MM 1.5M L

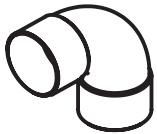


1x TEE Ø50MM

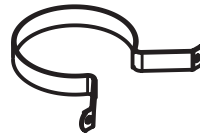


1x PVC DRAIN PIPE Ø50MM

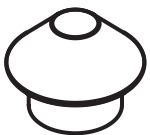
VENT ITEMS



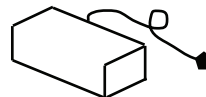
1x 90° BEND Ø100mm



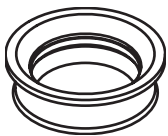
2x VENT SUPPORT BRACKETS & 4 SCREWS



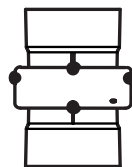
1x VENT COWL Ø100MM



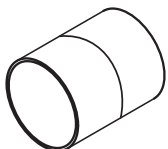
1x TRANSFORMER



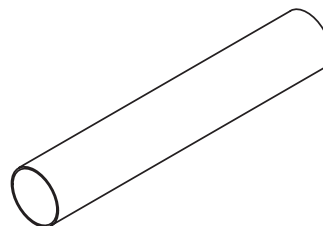
1x WALLACE SEAL Ø100MM



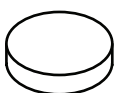
1x FAN IN Ø100MM HOUSING WITH BUG MESH



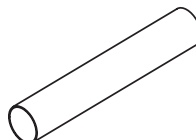
2x SLIP JOINERS Ø100MM



3x VENT PIPE SECTIONS Ø100MM 1.2M L

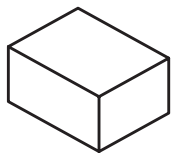


1x SPINWELD PLUG



1x VENT PIPE Ø50MM 330MM L

CONSUMABLES



BULKING
AGENT



MICROBES



SPRAY
BOTTLE

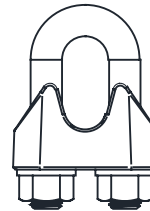


ENZYME
CONCENTRATE

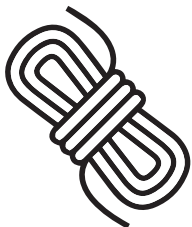
OPTIONAL PACK FOR BURIED ANCHOR SYSTEM ONLY



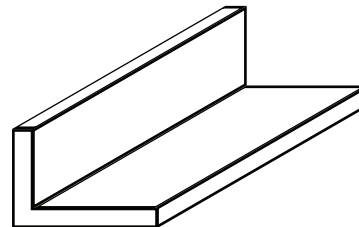
4x EYE NUT



8x ROPE CLAMPS

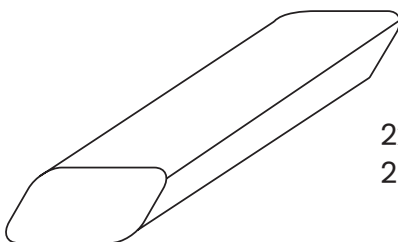


4x STAINLESS STEEL
CABLE LENGTHS



4x UNEQUAL FRP
ANGLE 40x60MM

YOU WILL NEED:



2x 2m CONCRETE SLEEPERS
200x75mm

TOOLS REQUIRED



MATERIALS REQUIRED

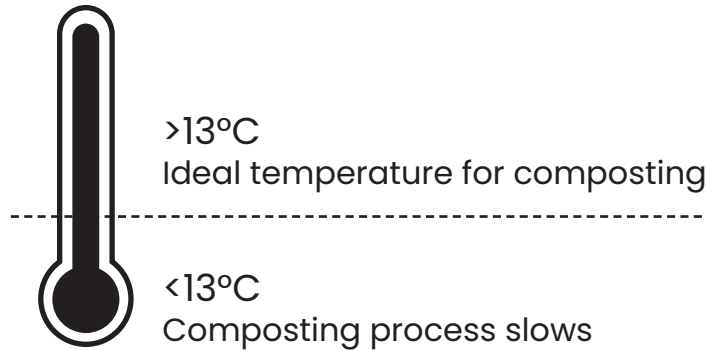
- Water for wetting starter material.
- Additional 50mm PVC pipe (coupling and bends if absorption trench is to be located some distance away from tank). Additional pipe bends if needed for vent pipe.
- In poor soil conditions, extra length of trenching arch or agi drain may be required.
- Drainage gravel for excess fluids drain.

INSTALLATION SUMMARY

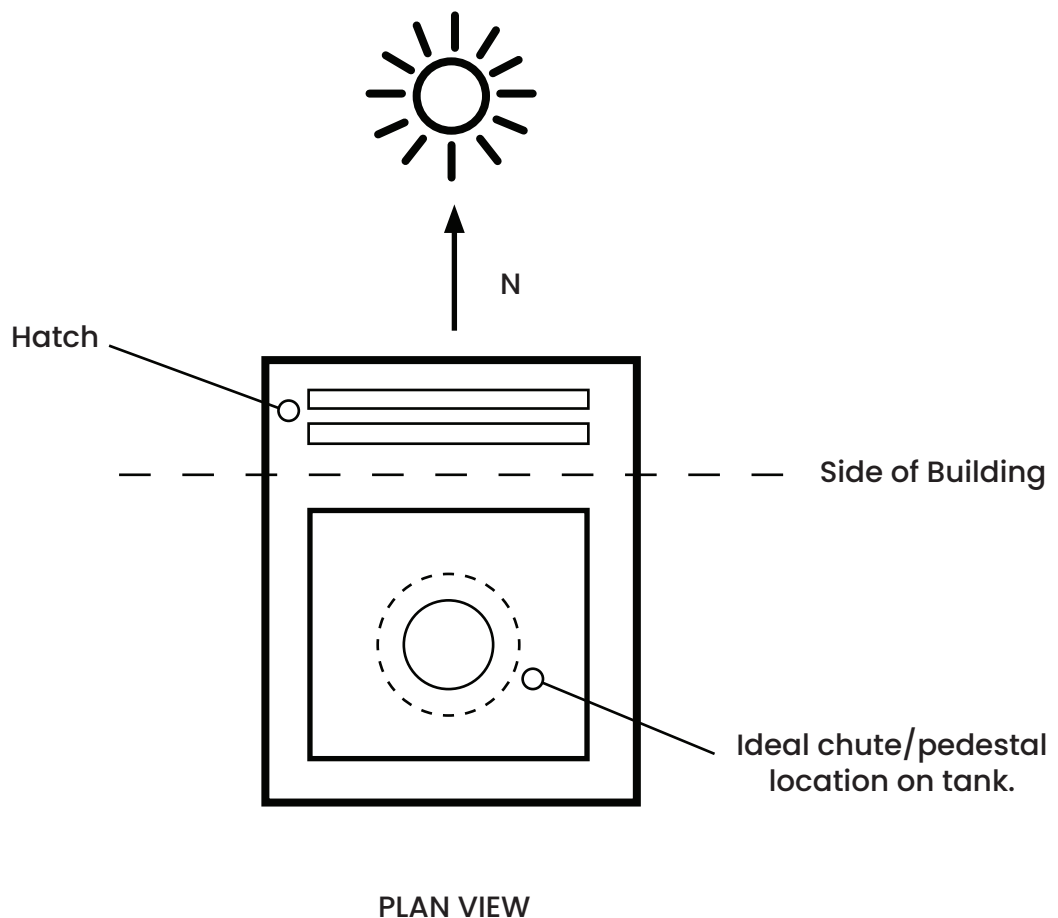
1. Ensure the tank is in a position so that the toilet chute will be perfectly straight over the tank below.
2. Ensure the tank foundation is solid with a sand or crusher dust bed.
3. Mark and cut holes in the floor for the toilet chute.
4. Mark and cut holes in the tank top.
5. Insert toilet chute and pedestal.
6. Install the vent system.
7. Install the liquid end-product drain pipe and absorption/transpiration trench.
8. Connect fan to power source.
9. Check everything is sealed.
10. Place a starter-bed of suitable bulking agent (e.g. wood shavings) in the unit.
11. Wet bulking agent before use of toilet.
12. Add starter bacteria after 14 days of use.

CONDITIONS

Any decomposition process works better where temperatures are warmer. Over the winter months the composting process slows or can even temporarily stop where temperatures in the pile drop below 4°C.



As the composting tank is black, it will absorb heat from the sun. **Simply by installing the compost bin on the north side of the house will make a dramatic difference to the composting process.** In addition, a translucent hatch and enclosure can be installed around the compost bin. In extreme alpine conditions it may be necessary to insulate the tank itself in addition to the above.



POSITIONING THE TANK

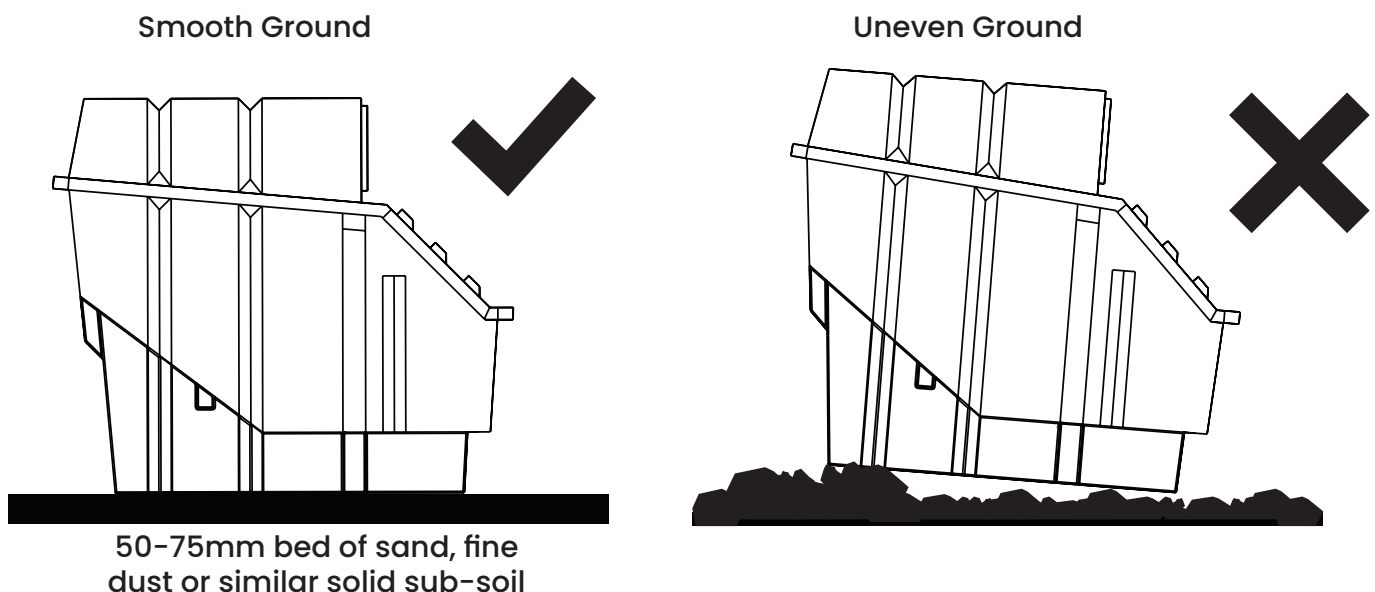
If there is very little room between the top of the tank and the floor of the building, the order of the installation can be changed as follows: Firstly, cut the hole for the pedestal in the floor of the building (refer to page 11, Toilet Chute & Pedestal). Position the tank under the hole and then mark the position of the hole onto the tank. After the tank has been marked, it can be removed from under the building. Cut the hole in the tank and fit the chute collar before placing the tank back into position.

- Check the position planned for the toilet chute. The toilet chute must be positioned over the top of the compost tank. For less maintenance of the compost pile, the optimum location for the chute/s to enter the tank is mid-width, in the rear half of the tank. A clearance of at least 150mm from edge of chute to edge of tank-top is desirable to avoid rapid build up of the pile against the sides.
- Check there are no major support beams, pipes or electrical wire that are in the way of the toilet chute.
- Where mains power is to be used, check that a power point has been installed near the location for the ventilation fan.
- Locate where the excess liquid drainpipe and tench is to go and take this into account when positioning the tank.

TANK SUPPORT

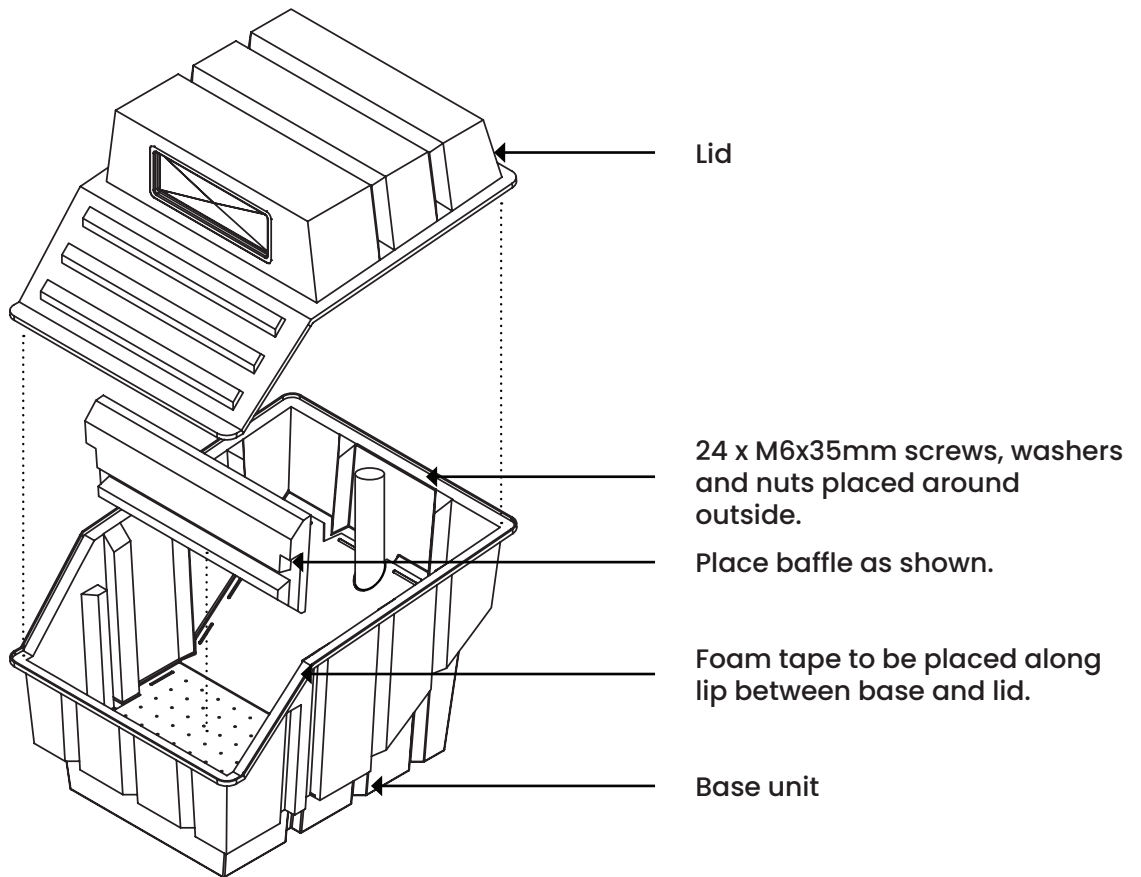
The composting tank must be supported by either packed earth with the tank placed on a base of sand, or a wooden frame on a solid base; e.g. a concrete slab. Insulation between the tank and the concrete slab will reduce heat loss and aid the composting process.

NOTE: The tank and enclosure should be protected from surface and floodwater.



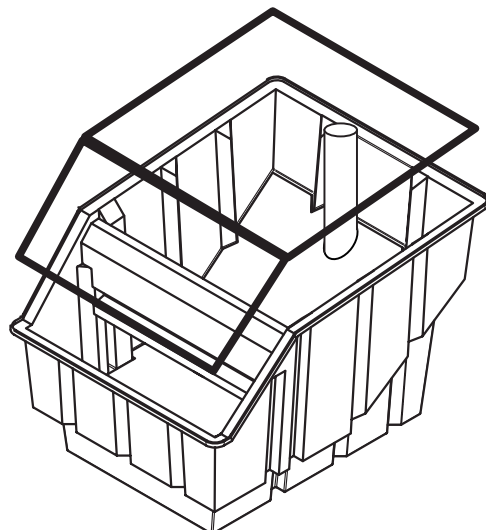
TANK ASSEMBLY

Unbolt the 4 screws around the edge of the CM8 Next Gen and lift off the lid. Place baffle inside and fill with bulking agent (see next page). Place the lid onto the base and screw in all 24 M6x35mm bolts, washers and nuts around the edge of the CM8.



FOAM TAPE INSTALLATION

Install foam tape around the back edge of the base unit, over the top of the baffle, and under the maintenance hatch lid.



STARTER-BED OF ORGANIC MATTER

SUITABLE BULKING MATERIAL



Wood shavings



Hemp

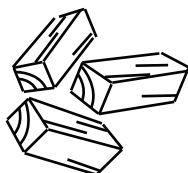


Dry Leaves

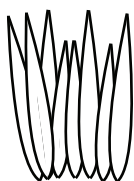


Peanut or coconut husk

NOT SUITABLE BULKING MATERIAL



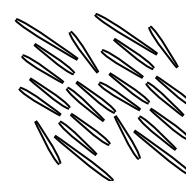
Large wood chips



Lawn clippings

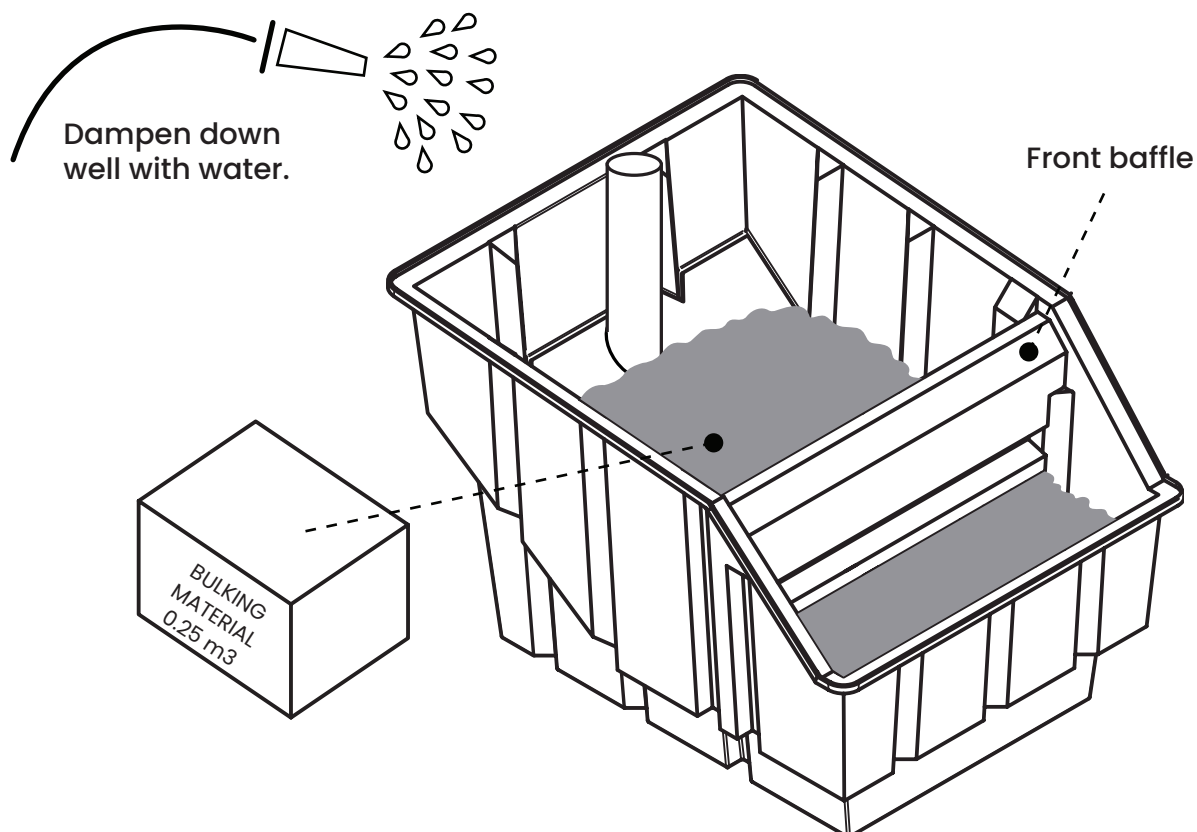


Fine sawdust



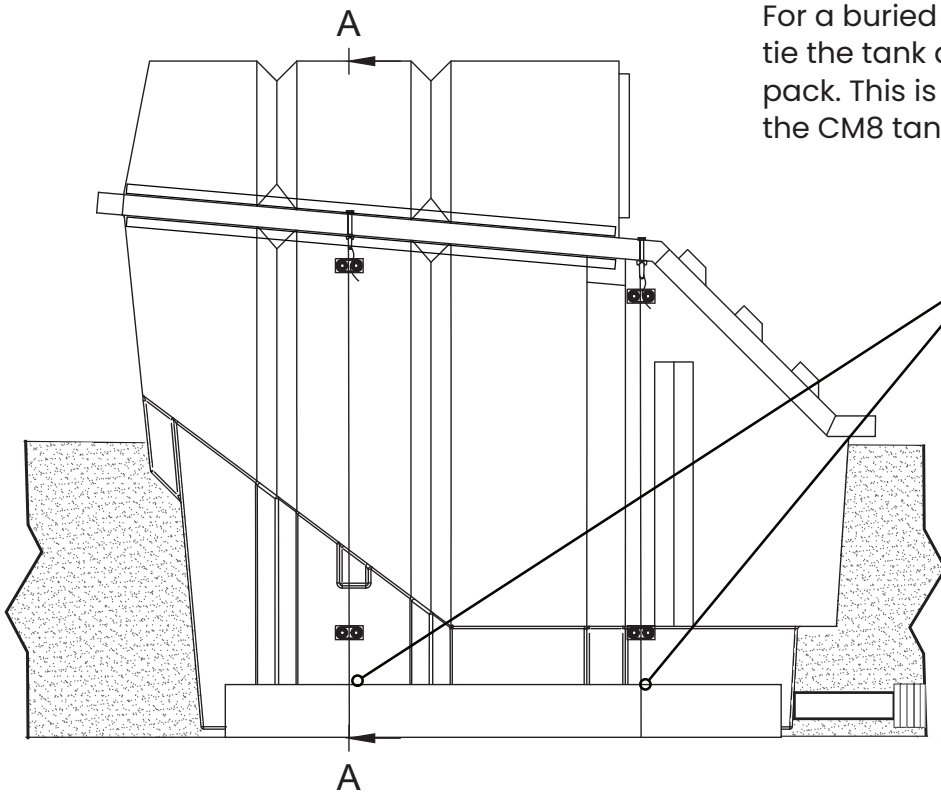
Sugar cane mulch

Starter bed of bulking material to underside of baffle.



INSTALLATION FOR BURIED ANCHOR SYSTEM ONLY

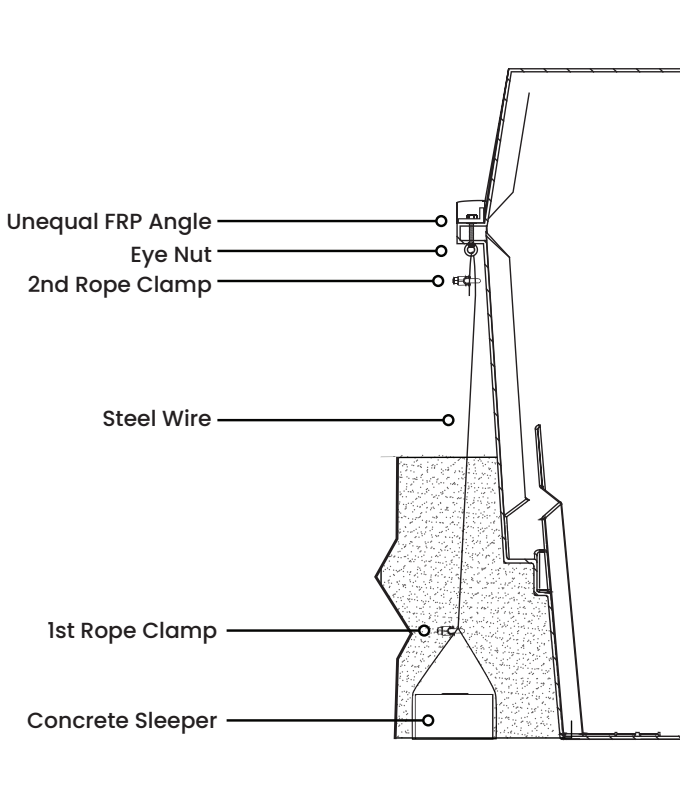
LEFT SIDE VIEW



For a buried system it is required to tie the tank down with the optional pack. This is to attach both sides of the CM8 tank to the sleeper.

Installation of Anchor system to CM8

A = SECTIONAL VIEW LEFT SIDE



Replace M6 nut on front and back edge with provided eye nut.

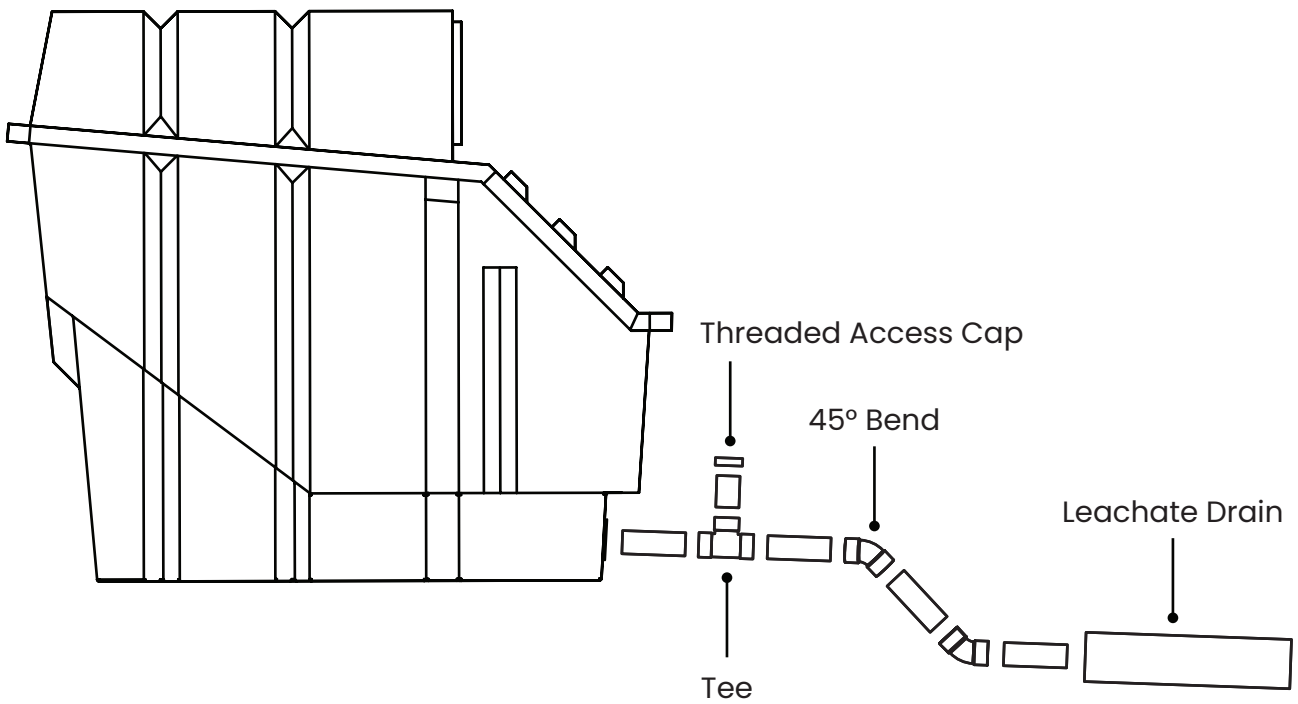
Feed steel wire around the concrete sleeper and through the 1st rope clamp and tighten to sleeper.

Feed remaining wire through eye nut and tighten with 2nd rope clamp.

Repeat on opposite side of CM8.

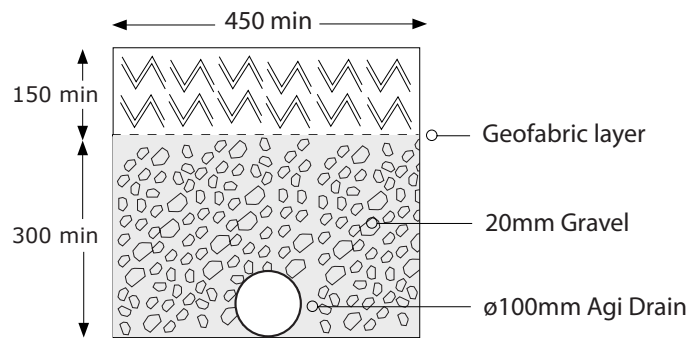
THIS IS TO BE DONE ON BOTH SIDES OF THE TANK

LEACHATE DRAIN INSTALLATION

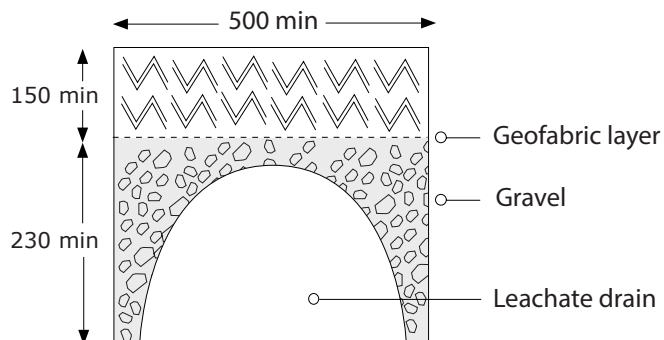


Drain Options

Socketed Slotted Pipe

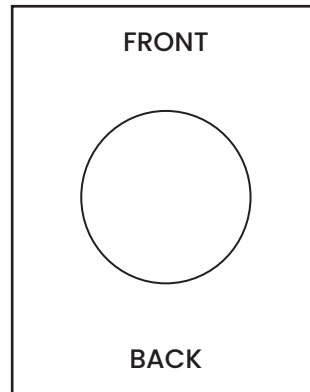


Trench Arch

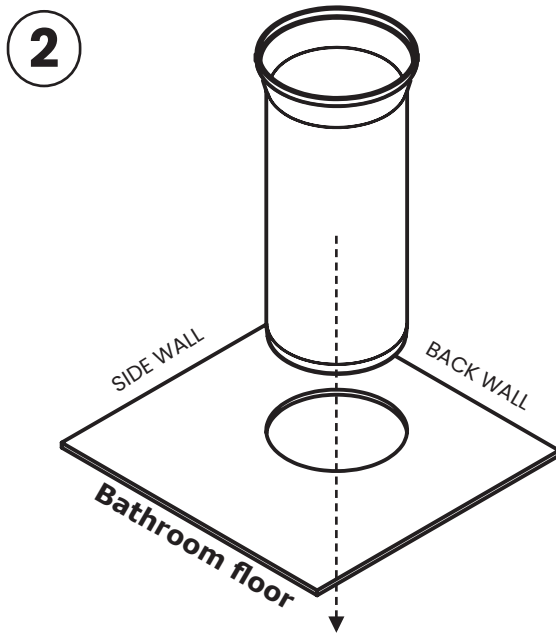


TOILET CHUTE & PEDESTAL

- 1** Please refer to the Pedestal installation manual for instructions on how to locate the pedestal in your bathroom.

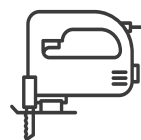
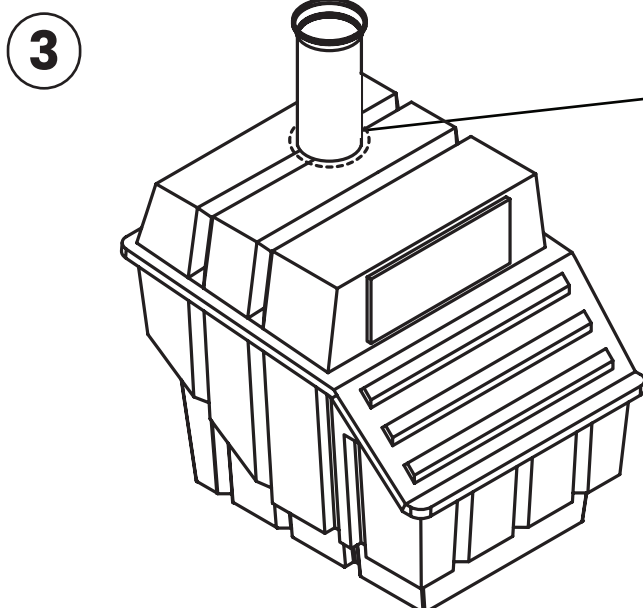


A3 Template to cut chute hole at the correct size.



< 5mm of sideways play around the hole.

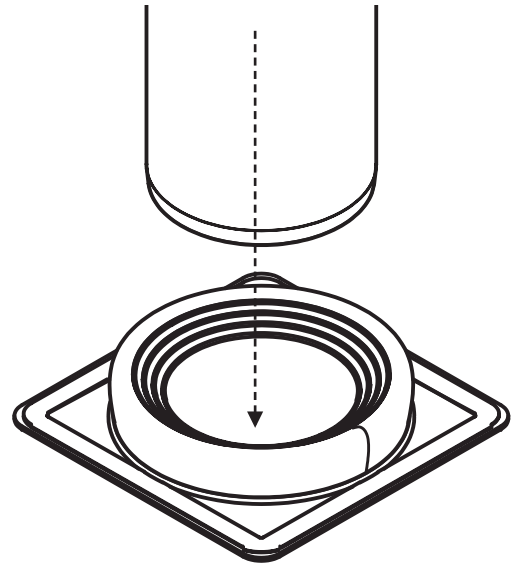
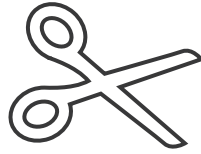
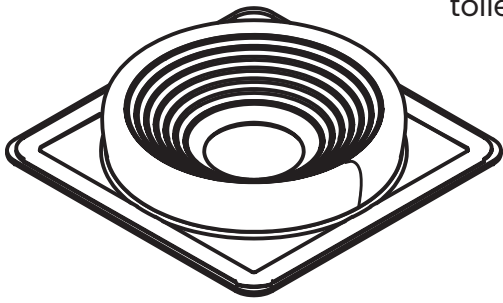
Note: If the floor of the building is high above the top of the tank a chute extension piece/s may be needed. Extra lengths are available from your supplier. Joints should be screwed with short self-tapper screws, and sealed with silicon. If more than 2 chutes are joined then additional support straps or brackets are needed to support their weight from the building frame, instead of hanging only by the top chute.



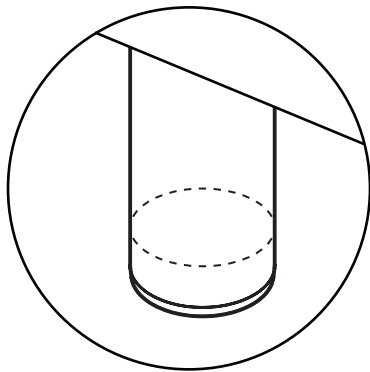
Using the outside of the toilet chute as a template, mark and cut the chute hole into the top of the tank.

4

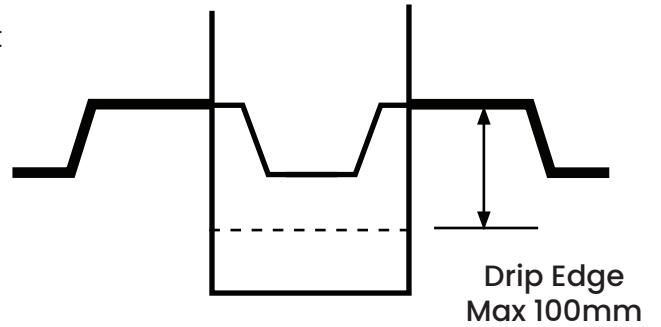
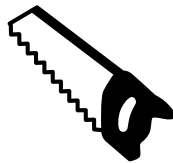
Enlarge the hole in the rubber chute collar so it will stretch snugly around the toilet chute without gaps.



5



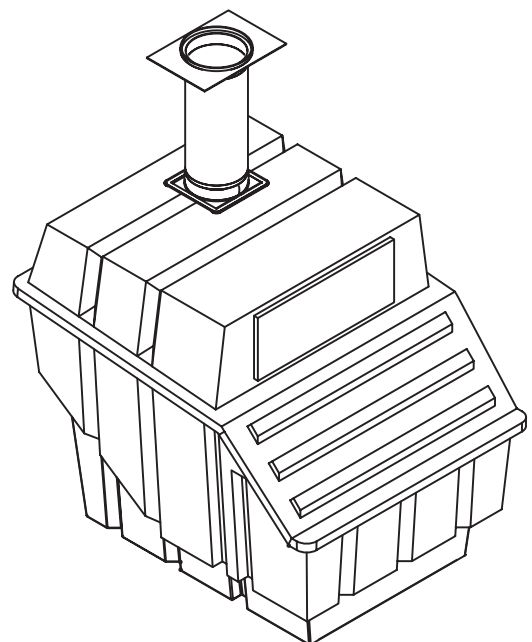
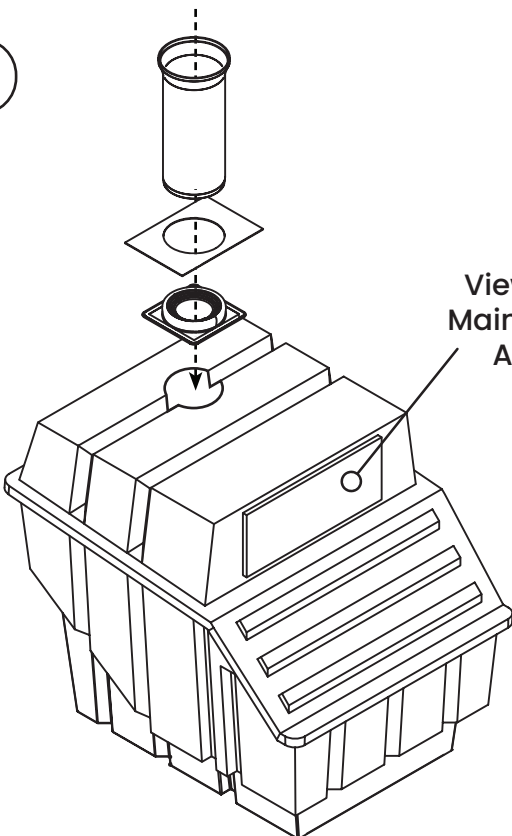
Mark and cut chute.



SECTION VIEW

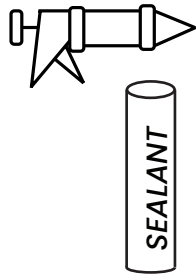
6

Viewpoint/
Maintenance
Access

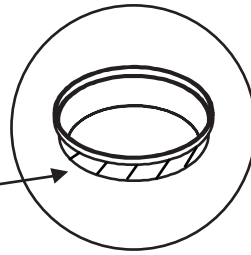


7

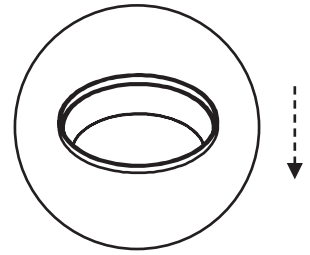
Lift the toilet chute slightly and put sealant between the toilet chute and the floor then press chute down again to seat firmly onto the floor.



TOP FLOOR



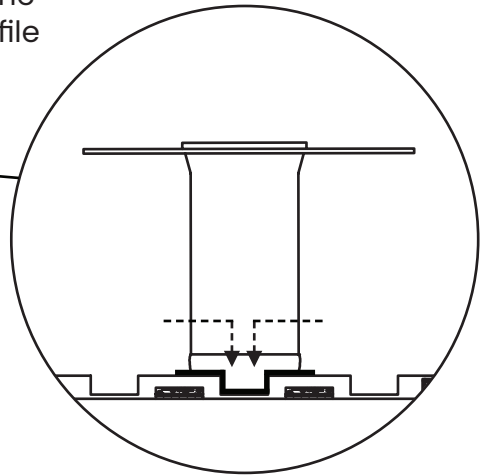
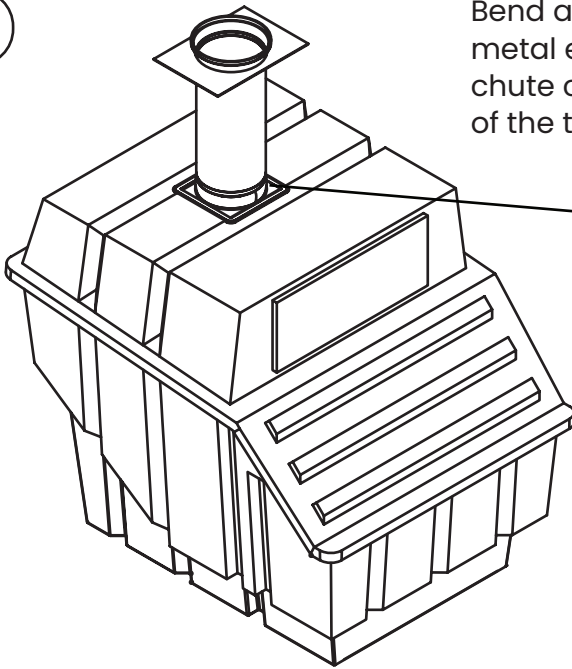
Lift up



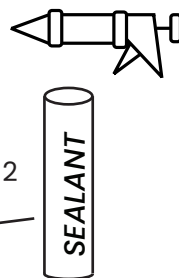
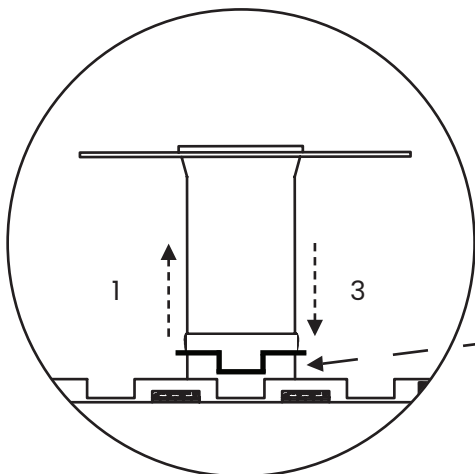
Push down

8

Bend and move the metal edging strip of the chute collar to the profile of the tank.



9



Run a bead of silicon sealant around the underside edge of the collar.

Using the 12mm stainless screw provided, secured the collar of the tank top by screwing through the metal edging strip.

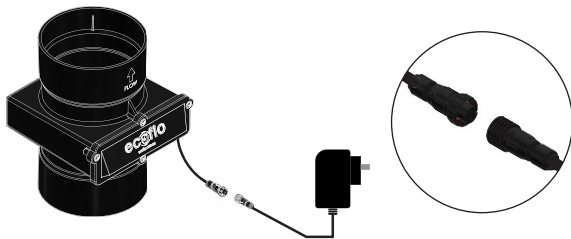


POWERING YOUR FAN

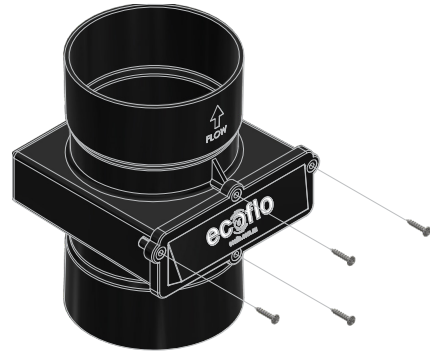
A 120 /12 volt regulated transformer is included to run the fan from mains power. The positive wire the transformer is marked with a white line. The fan has anti-polarity protection and would not run if connected incorrectly. If you have a solar panel, refer to the instructions provided with it.

Connect the fans to the transformer as follows:

- 1** If the housing has external IP plugs, simply connect the two plugs and screw the IP cap over the port to secure.
- If the transformer cables have wire stripped ends, proceed to **step 2**.

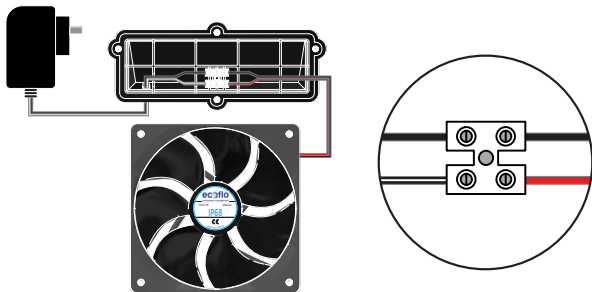


- 2** Unscrew the fan housing cover.



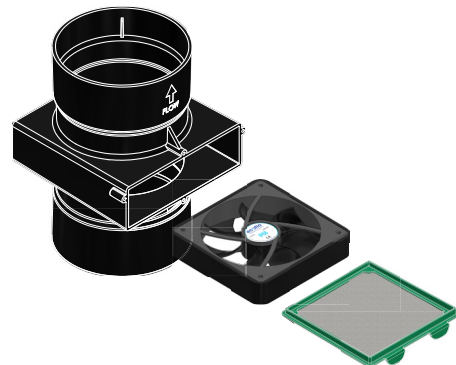
- 3** Attach the transformer cables to the terminal block as shown below.

Black to black (negative)
Red to black with white stripe (positive)

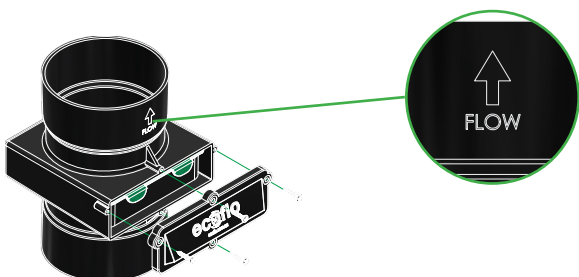


The fan has anti-polarity protection and will not run if connected incorrectly.

- 4** Insert the fan with sticker facing up and fan mesh into the housing, with the fan mesh on top.

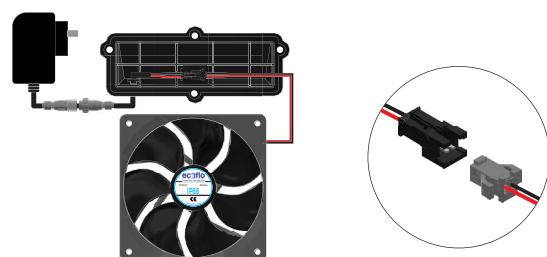


- 5** Test the fan. Airflow should be directed upwards, towards the top of the fan housing (see arrow). Screw fan cover back onto housing.



Replacing the fan:

For fans connected with IP plugs, disconnect the fan as shown below and replace. For those with stripped cables, refer to step 2-5.



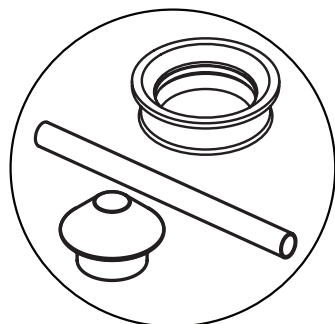
PEDESTAL INSTALLATION

See separate instruction manual for pedestal installation.

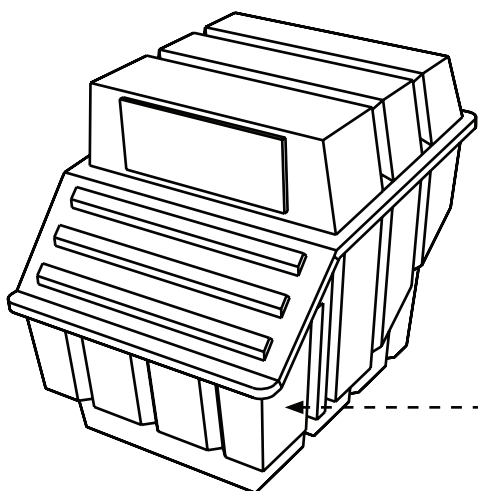
INSTALLATION OF VENTILATION SYSTEM

Note: As air flow is essential to the operation of the unit, **the fewer bends that are used when installing the vent system the better.**

1



Plan the vent pipe layout.

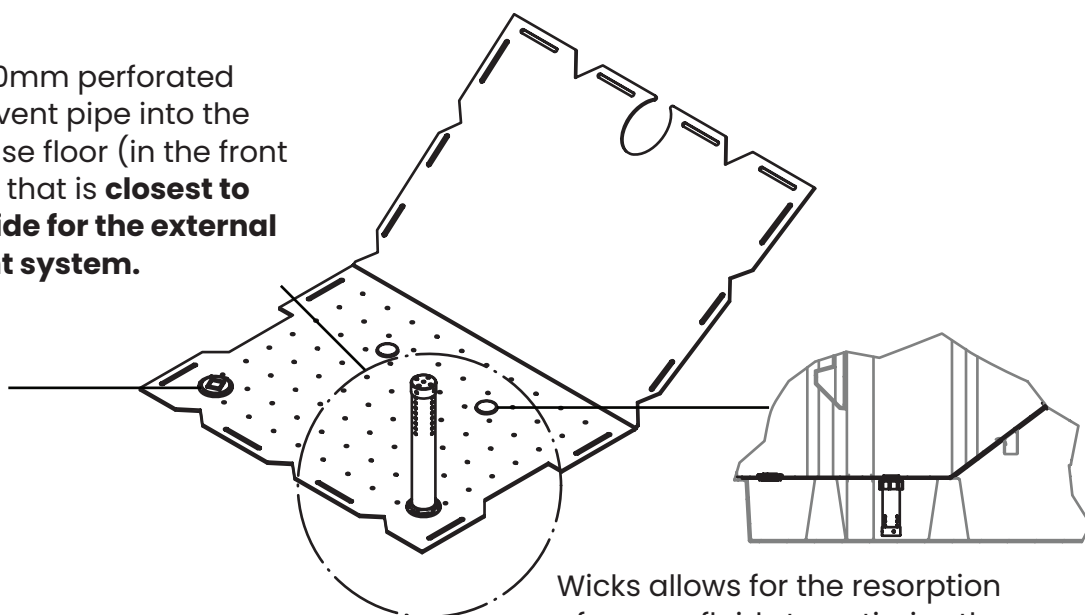


The hole for the vent pipe is best at the side of the front access area, as far as practical from the nearest chute entry. Refrain from placing it along the front face as this can hinder opening of maintenance access.

2

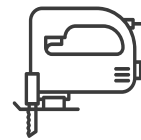
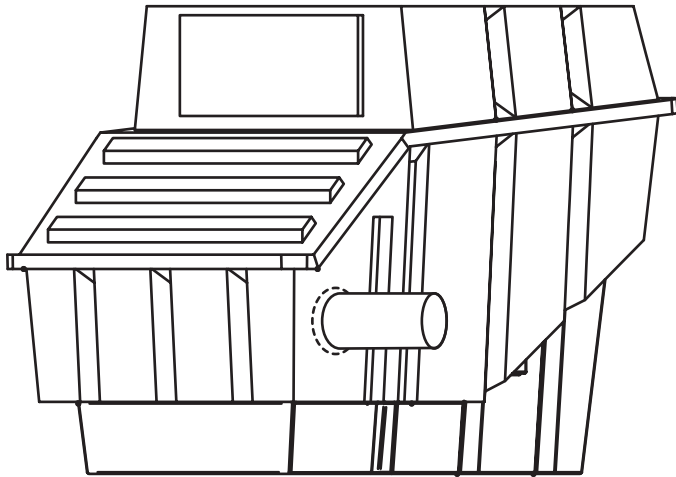
Insert the $\text{\O}50\text{mm}$ perforated and capped vent pipe into the hole in the flase floor (in the front access area) that is **closest to the chosen side for the external $\text{\O}100\text{mm}$ vent system.**

Plug the hole on the opposite side.



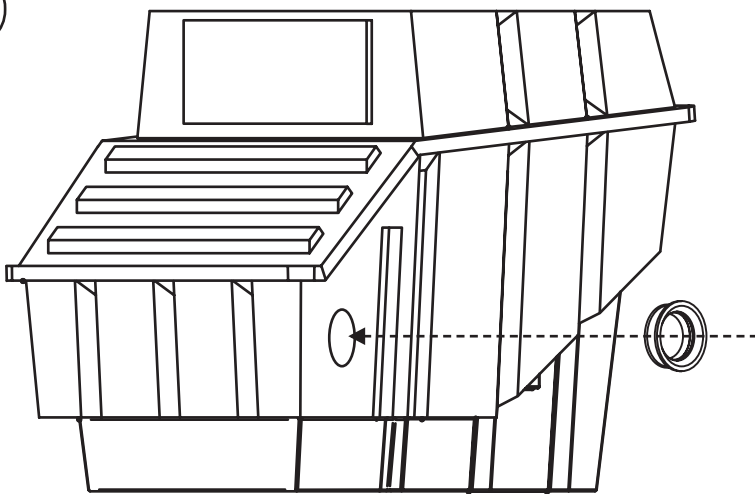
Wicks allows for the resorption of excess fluids to optimise the moisture levels of the compost pile.

3



Cut hole 121mm in diameter (as noted on the wallace seal).

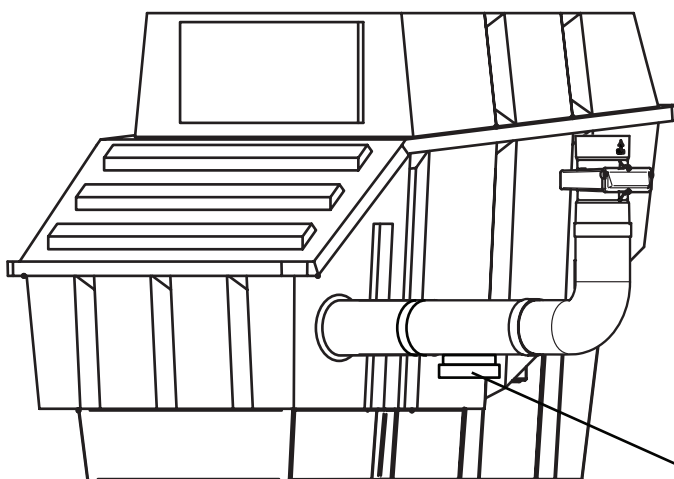
4



Secure Wallace seal into position.

Tip: Putting the wallace seal in hot water for 5 minutes can help when installing the PVC pipe.

5

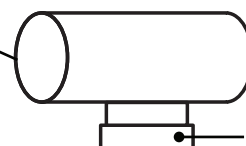


Secure pipe fittings according to building/roofing instructions. Complexity may vary.

Mount the fan housing onto the vent pipe. Position the fan housing so that it can be easily accessed and secure with silicon.

Optional: Fly Trap

Insert optional tee piece with screw cap for Fly Trap.



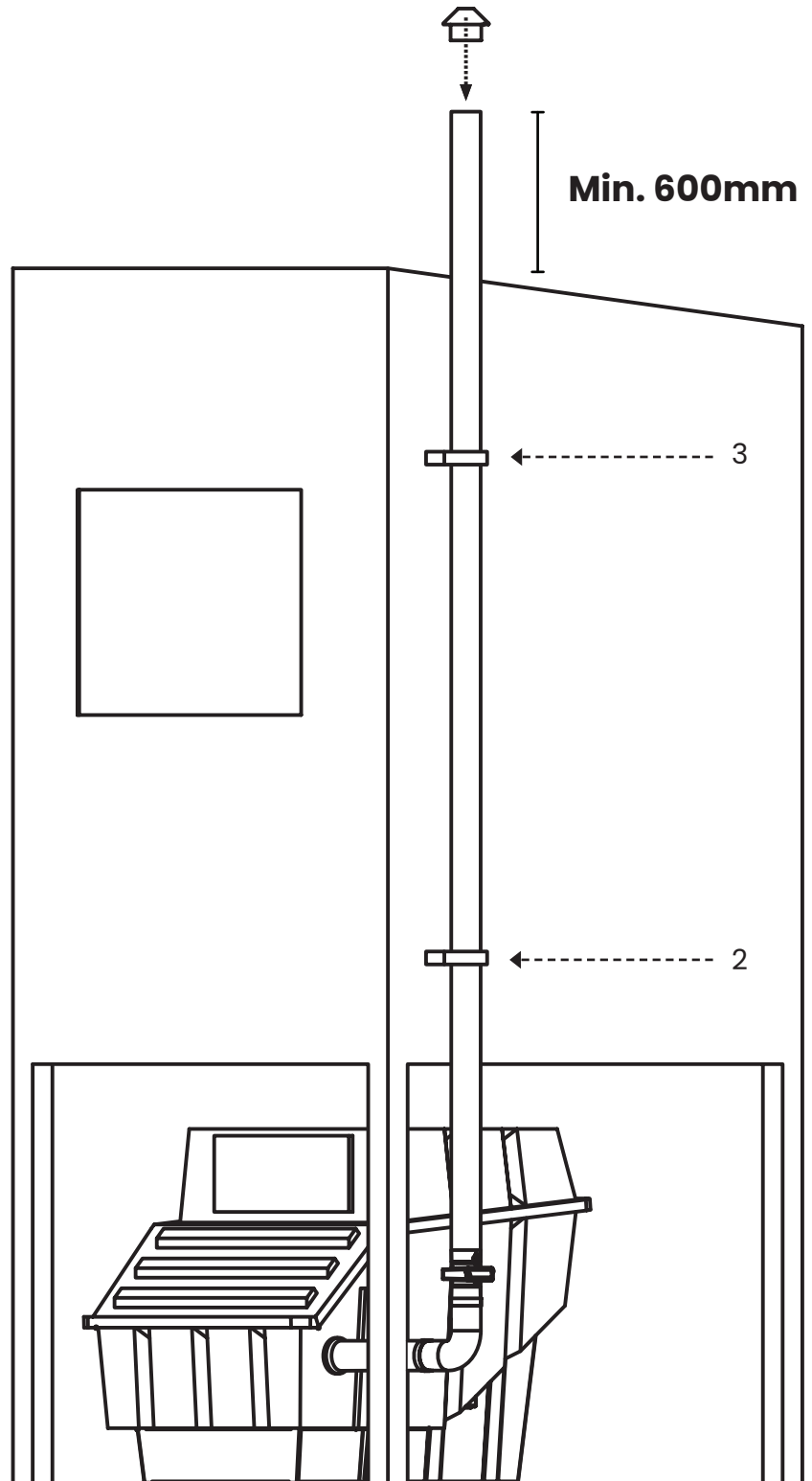
Screw on cap. Insert dish with honey.

6

Install the vent cowl or optional turbo vent. Secure with 3 self-tapping screws.

7

Attach the upper section of the vent pipe. The pipe should be supported against the wall of the building with the brackets provided (2, 3).



CONTACT

The place of purchase is responsible for handling warranty claims and addressing product concerns during the warranty period.

AUSTRALIA



Ecoflo Wastewater Management

ecoflo.com.au

PH 1300 138 182 or (07) 3889 6144

info@ecoflo.com.au

Available Monday – Friday (excluding public holidays)

NEW ZEALAND



Waterless Composting Toilets NZ

wctnz.co.nz

PH 0800 022 027

sales@wctnz.co.nz



Proudly Designed and Assembled in
Australia by Ecoflo Wastewater Management

