

# NATURE CLEAR 80L GREASE TRAP

OWNER'S MANUAL



## SPECIFICATIONS

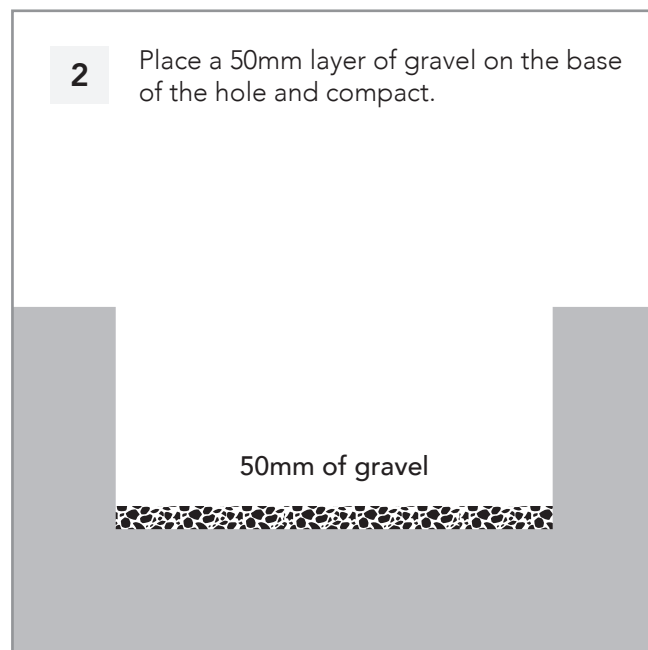
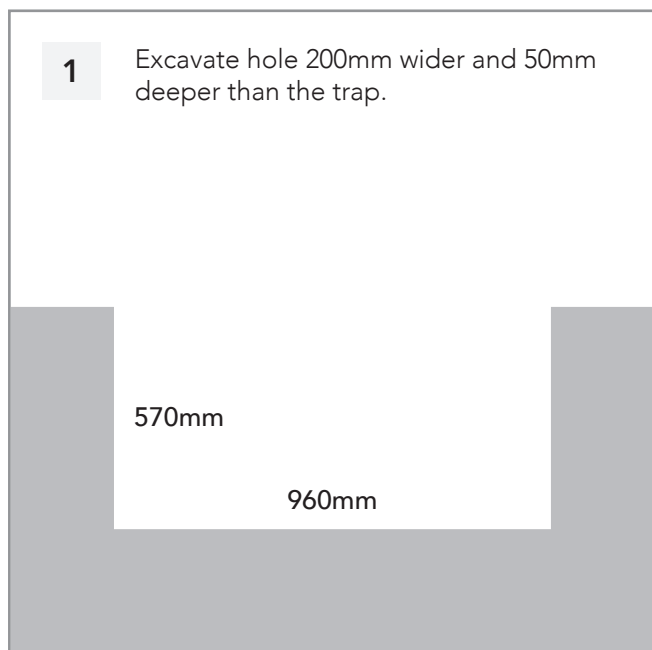
<b>Volume</b>	80L
<b>Usage Capacity</b>	10 equivalent persons
<b>Application</b>	Domestic usage
<b>Dimensions (mm)</b>	<b>Internal:</b> 700 L x 505 W x 490 H <b>External:</b> 760 L (810 incl. inlet/outlet pipes) x 565 W x 522 H
<b>Materials</b>	<b>Chamber:</b> Polypropylene modified <b>Lid:</b> Polyethylene calcium carbonate
<b>Lid load rating</b>	Class A - Suitable for residential backyards and walkways not accessible by vehicles
<b>Inlet</b>	100mm DWV
<b>Outlet</b>	100mm DWV
<b>Function</b>	Kitchen waste water - grease and gross matter trap
<b>Installation</b>	Outdoors in-ground
<b>Warranty</b>	10 years

## INSTALLATION

The Grease trap is designed to be buried. Ensure that the lid is slightly above the ground level (20mm) to prevent surface water entering the trap.

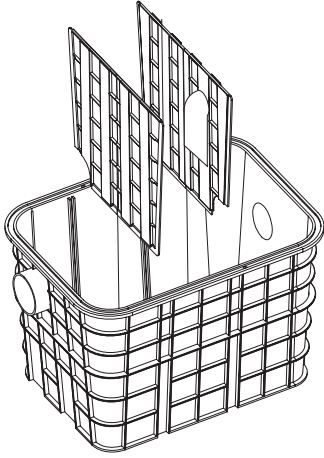
### Notes

All drainage pipes must be installed as per AS3500.2.2018. You can pour a concrete surround around the trap.



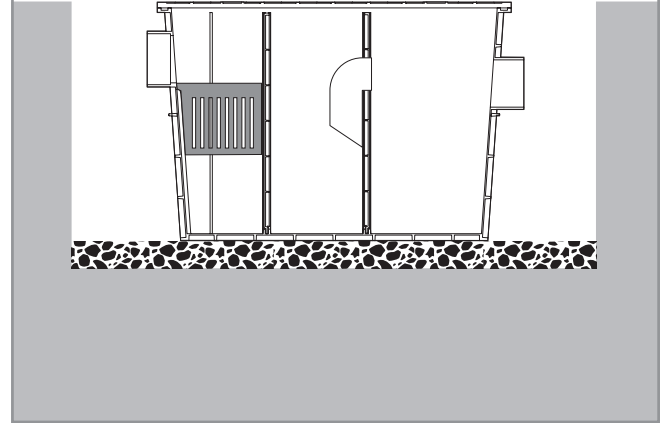
3

Insert the baffle with the hole on the bottom corner in the slot closer to the inlet pipe. Insert the other baffle with the angled pipe facing towards the outlet pipe.



4

Insert the basket in the trap.

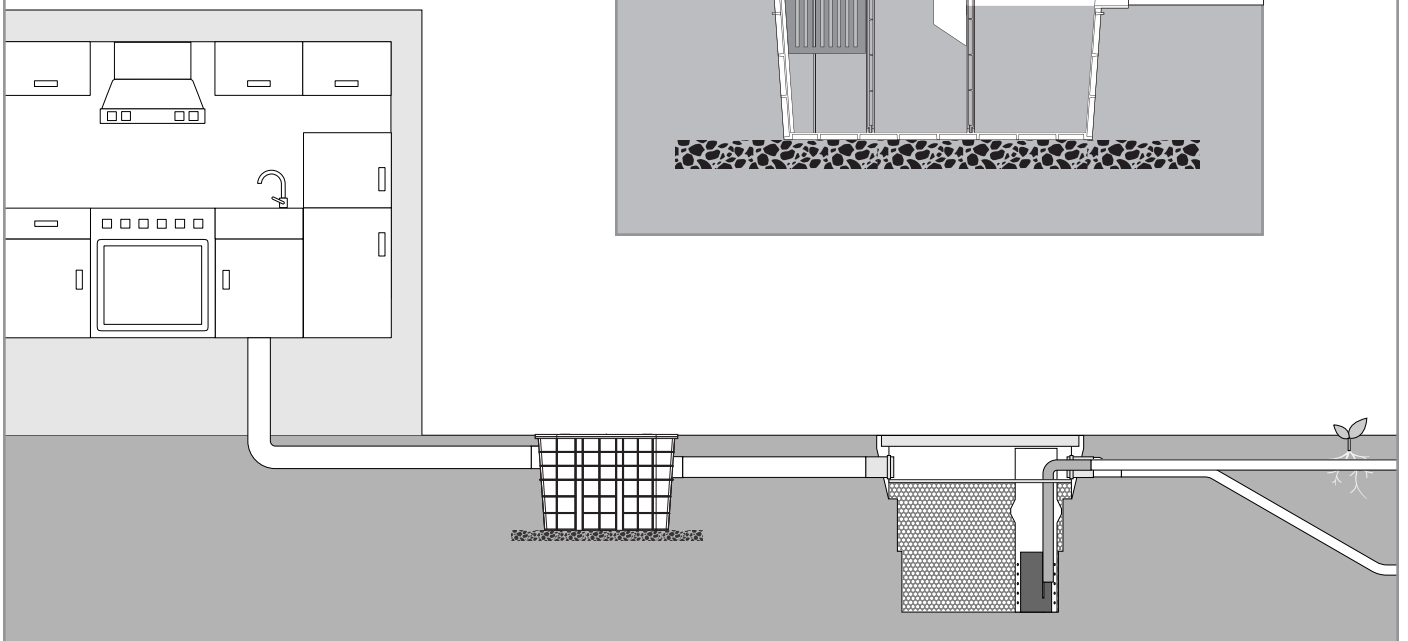


5

Connect the kitchen waste drain to the inlet of the grease trap; and the outlet to your greywater diversion/treatment system.

Insert the trap and backfill with clean dirt free of rocks and sharp materials. In high water table locations backfill with concrete a minimum half way up the sides.

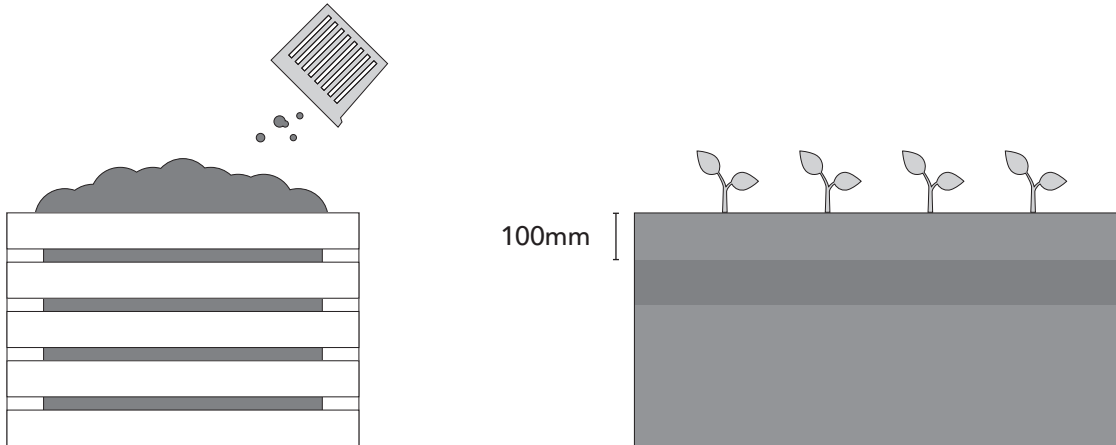
Put on the lid. Fill the trap with water immediately following installation.



## MAINTENANCE

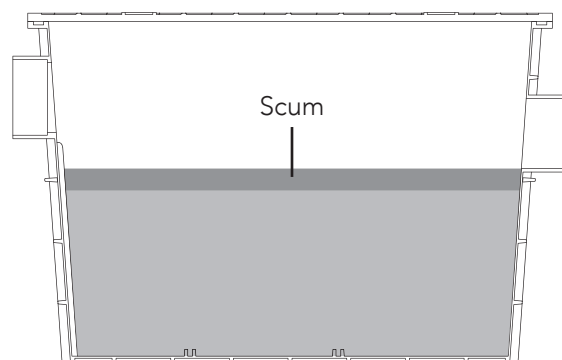
Regularly check the grease trap - the frequency will depend on the number of persons in the household and the nature of kitchen wastewater but at least twice a year.

- 1 Empty the basket into your garden compost pile or bury under 100mm of soil or garden mulch.



### 2 Clean the grease trap:

- Remove the lid, basket and baffles from the grease trap.
- Using a scoop or paper towels, skim the layer of fats, oil and grease (scum) off the top of the water and dump into a garbage bag (with absorbent material).
- Scoop, pump or vacuum out water in the grease trap into a bucket.
- Scrape off any remaining residue on the sides of the grease trap.
- Scoop out all remaining solids on of the bottom of the grease trap and dump into the garbage bag. Add more absorbent material if there is too much liquid in the bag.
- Dump the water in the bucket back into the grease trap.
- Dispose of waste in the garbage bag in a manner approved by your local authority.





[ecoflo.com.au](http://ecoflo.com.au)  
[info@ecoflo.com.au](mailto:info@ecoflo.com.au)  
PH 1300 138 182