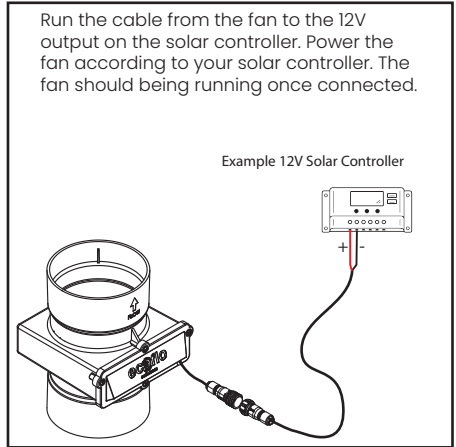
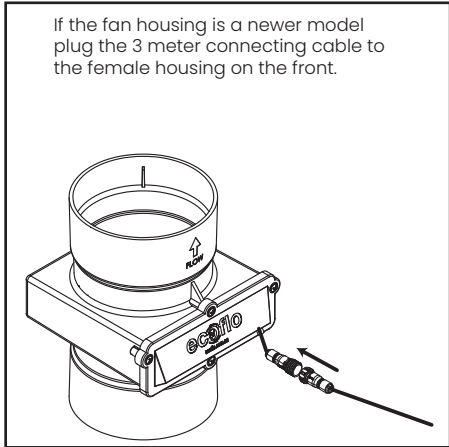


Instructions for Integrating Solar Power into Your Ecoflo Fan Housing

These instructions are for adding solar power to your Ecoflo fan housing. Please note that **if you have purchased a solar panel kit not from Ecoflo you will need to purchase a solar cable to be used with the Ecoflo fan housing.** Older models may have the terminal block inside refer to step 3.



Older models may have the terminal block inside, refer to schematic below. Standard twin core cable can be used.

