

FLAX

WATERLESS URINAL
VITREOUS CHINA



Patented, sealed cartridge uses a biodegradable sealant liquid to control odours. 100% compatible with all Falcon Waterless urinals, worldwide



WaterLess

Technologies

Waterless urinals reduce water and sewer costs, maintenance and repair bills, and create more hygienic, odour-free restrooms. A patented, sealed cartridge eliminates the need for water, conserving an average of 150,000 litres per urinal each year.

With **Waterless** urinals, water does not have to be pumped to or from the urinal. This saves energy, which in turn reduces carbon dioxide emissions associated with energy production - emissions that would otherwise contribute to global warming.

Purchasing and installing **Waterless** urinals is less expensive than manual and automatic flush units because flush valves and associated piping are not required. Maintenance costs with flush valves are also eliminated.

FEATURES

- Touch-free operation
- Uses no water
- Mechanical-free design
- Patented, sealed locking cartridge
- Maintenance-free cartridge
- Smooth, non-porous surfaces
- Vitreous china bowl

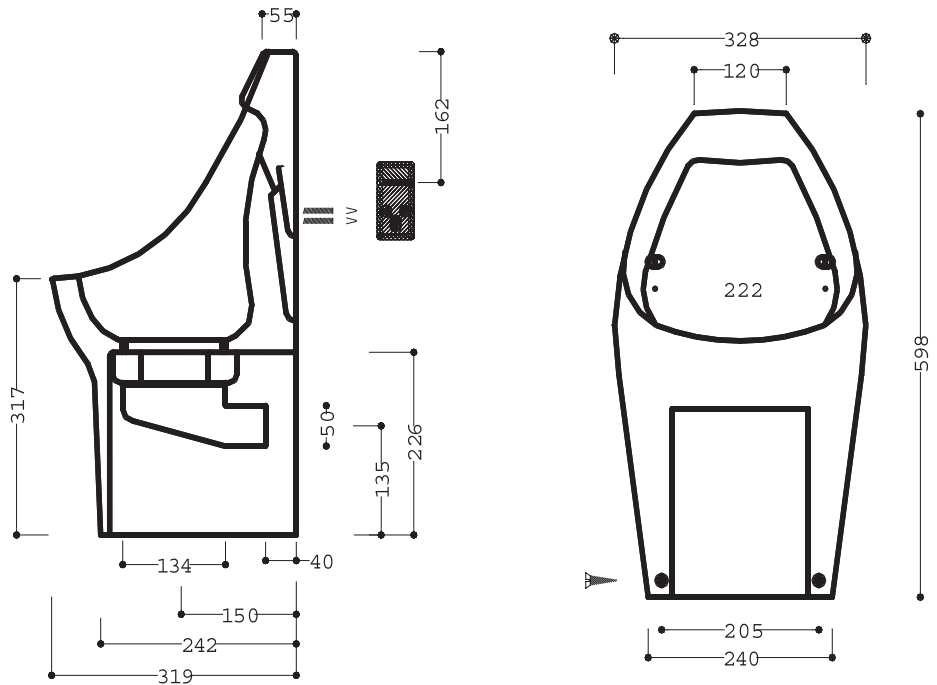
BENEFITS

- Improved hygiene and safety
- Reduced water and sewer costs
- No costly flush valve or sensor repairs
- Odour-free
- No need to replenish sealant between changes
- Minimal care and easy cleaning
- Unsurpassed durability



ALSO AVAILABLE

- Installation hardware
- Drain line couplings



These dimensions are for informational purposes only. For specific rough-in dimensions, please refer to specification sheets available on our web site or contact us directly.

AUSTRALIAN WATERLESS PTY LTD

PO Box 411, Hamilton NSW 2303
sales@waterless-urinals.com

Phone: 043 2266 457

www.australianwaterless.com.au

SOUTH PACIFIC WATERLESS LTD

8e Vega Pl, Mairangi Bay, Auckland

Phone: 0800 998 000

www.waterless.co.nz

