

BORONIA

WATERLESS URINAL
VITREOUS CHINA



Used in conjunction with our High Performance Key-Valve (HPKV), the most robust, high performance dry valve in the market. Through our patent-pending Bell Valve our HPKV technology provides safe, long lasting, low odor performance.



WaterLess
Technologies

Waterless urinals reduce water and sewer costs, maintenance and repair bills, and create more hygienic, odour-free restrooms. A patented, sealed cartridge eliminates the need for water, conserving an average of 150,000 litres per urinal each year.

With **Waterless** urinals, water does not have to be pumped to or from the urinal. This saves energy, which in turn reduces carbon dioxide emissions associated with energy production - emissions that would otherwise contribute to global warming.

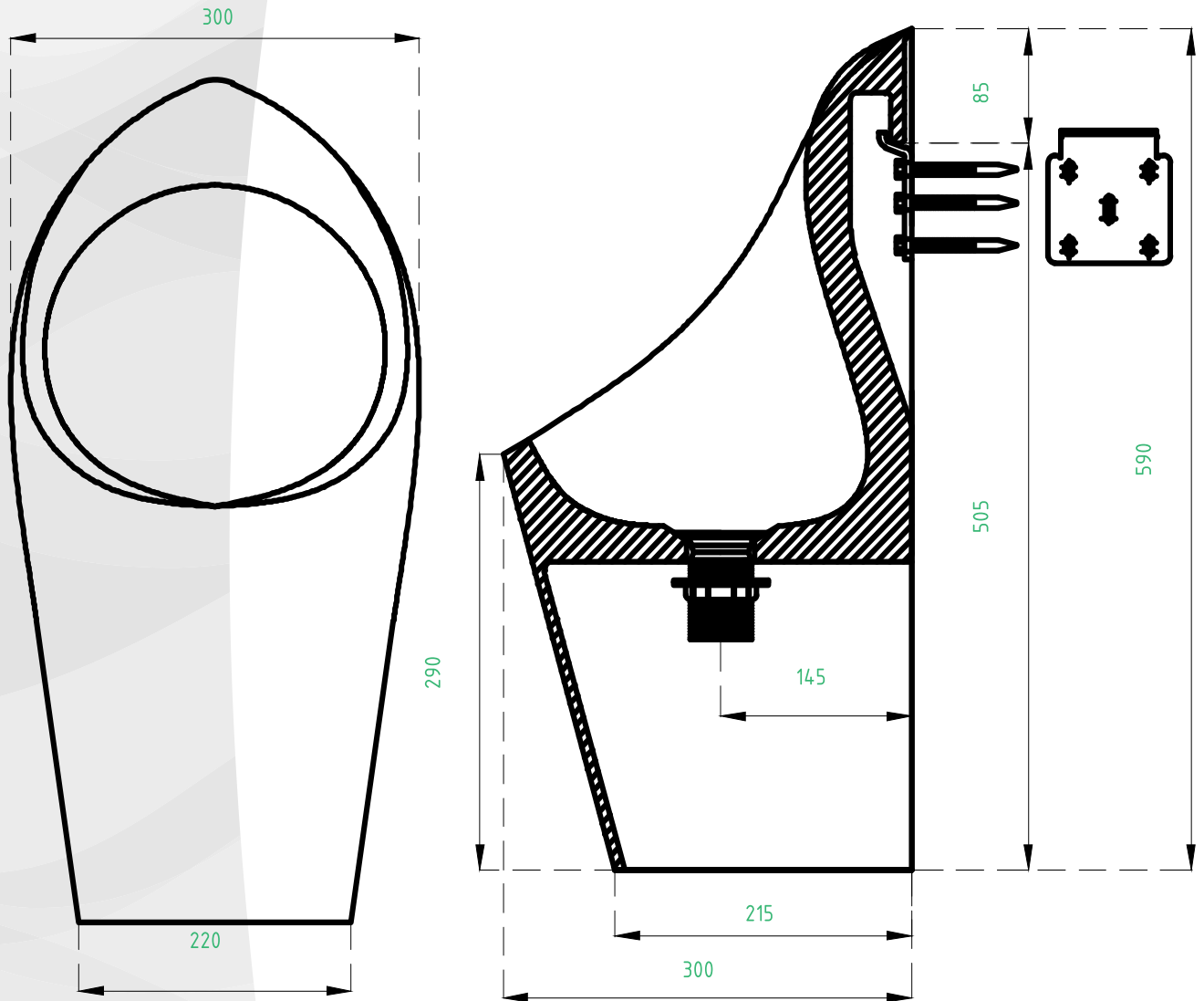
Purchasing and installing **Waterless** urinals is less expensive than manual and automatic flush units because flush valves and associated piping are not required. Maintenance costs with flush valves are also eliminated.

FEATURES

- Touch-free operation
- Uses no water
- Mechanical-free design
- Patented, sealed locking cartridge
- Maintenance-free cartridge
- Smooth, non-porous surfaces
- Vitreous china bowl

BENEFITS

- Improved hygiene and safety
- Reduced water and sewer costs
- No costly flush valve or sensor repairs
- Odour-free
- No need to replenish sealant between changes
- Minimal care and easy cleaning
- Unsurpassed durability



These dimensions are for informational purposes only. For specific rough-in dimensions, please refer to specification sheets available on our web site or contact us directly.

AUSTRALIAN WATERLESS PTY LTD

PO Box 411, Hamilton NSW 2303
sales@waterless-urinals.com

Phone: 043 2266 457
www.australianwaterless.com.au

SOUTH PACIFIC WATERLESS LTD

8e Vega Pl, Mairangi Bay, Auckland
chris@waterless.co.nz

Phone: 0800 998 000
www.waterless.co.nz

